



CUSTOMER SERVICE
SERVICIO AL CLIENTE
USA: 1-877-617-3501
Mexico: 01 800 843 1111
www.powerstroketools.com

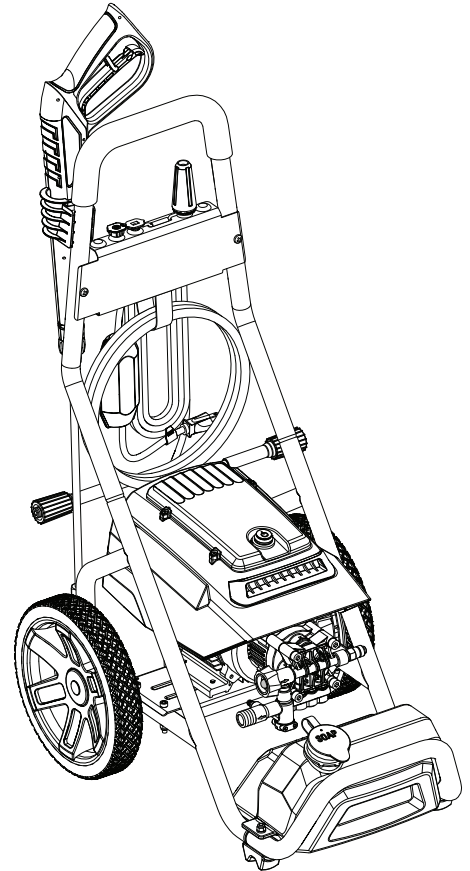
OPERATOR'S MANUAL

MANUAL DEL OPERADOR

ELECTRIC PRESSURE WASHER

LAVADORA DE PRESIÓN A ELÉCTRICA

PS142200



To register your POWERSTROKE product, please visit: <http://register.powerstroketools.com/>

Para registrar su producto de POWERSTROKE, por favor visita: <http://register.powerstroketools.com/>

TABLE OF CONTENTS

■ Important Safety Instructions.....	2
■ Specific Safety Rules	3-4
■ Symbols	5-6
■ Electrical	6-7
■ Features	8
■ Assembly	8-10
■ Operation	10-14
■ Maintenance	14-15
■ Troubleshooting	16
■ Warranty.....	17
■ Parts Ordering/Service.....	Back Page

ÍNDICE DE CONTENIDO

■ Instrucciones de seguridad importantes.....	2
■ Reglas de seguridad específicas	3-4
■ Símbolos	5-6
■ Aspectos eléctricos.....	6-7
■ Características	8
■ Armado.....	8-10
■ Funcionamiento.....	10-14
■ Mantenimiento.....	14-15
■ Solución de problemas	16
■ Garantía.....	17
■ Pedidos de piezas / servicio	Pág. posterior

⚠ WARNING: To reduce the risk of injury, the user must read and understand the operator's manual before using this product.

⚠ ADVERTENCIA: Para reducir el riesgo de lesiones, el usuario debe leer y comprender el manual del operador antes de usar este producto.

**SAVE THIS MANUAL FOR
FUTURE REFERENCE**

**GUARDE ESTE MANUAL
PARA FUTURAS CONSULTAS**

See this fold-out section for all of the figures referenced in the operator's manual.

Consulte esta sección desplegable para ver todas las figuras a las que se hace referencia en el manual del operador.

Fig. 1

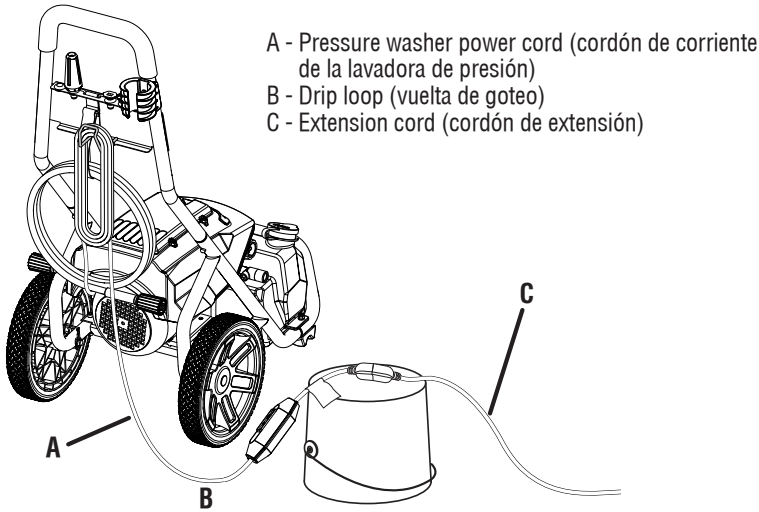


Fig. 2

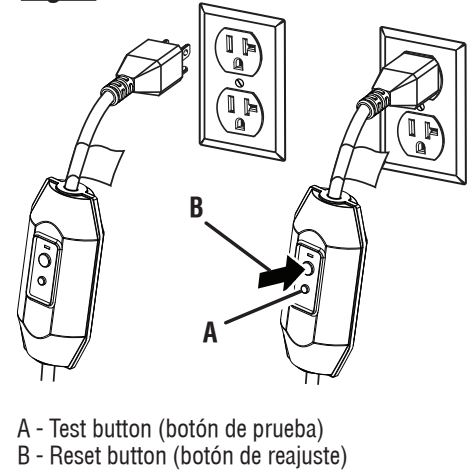
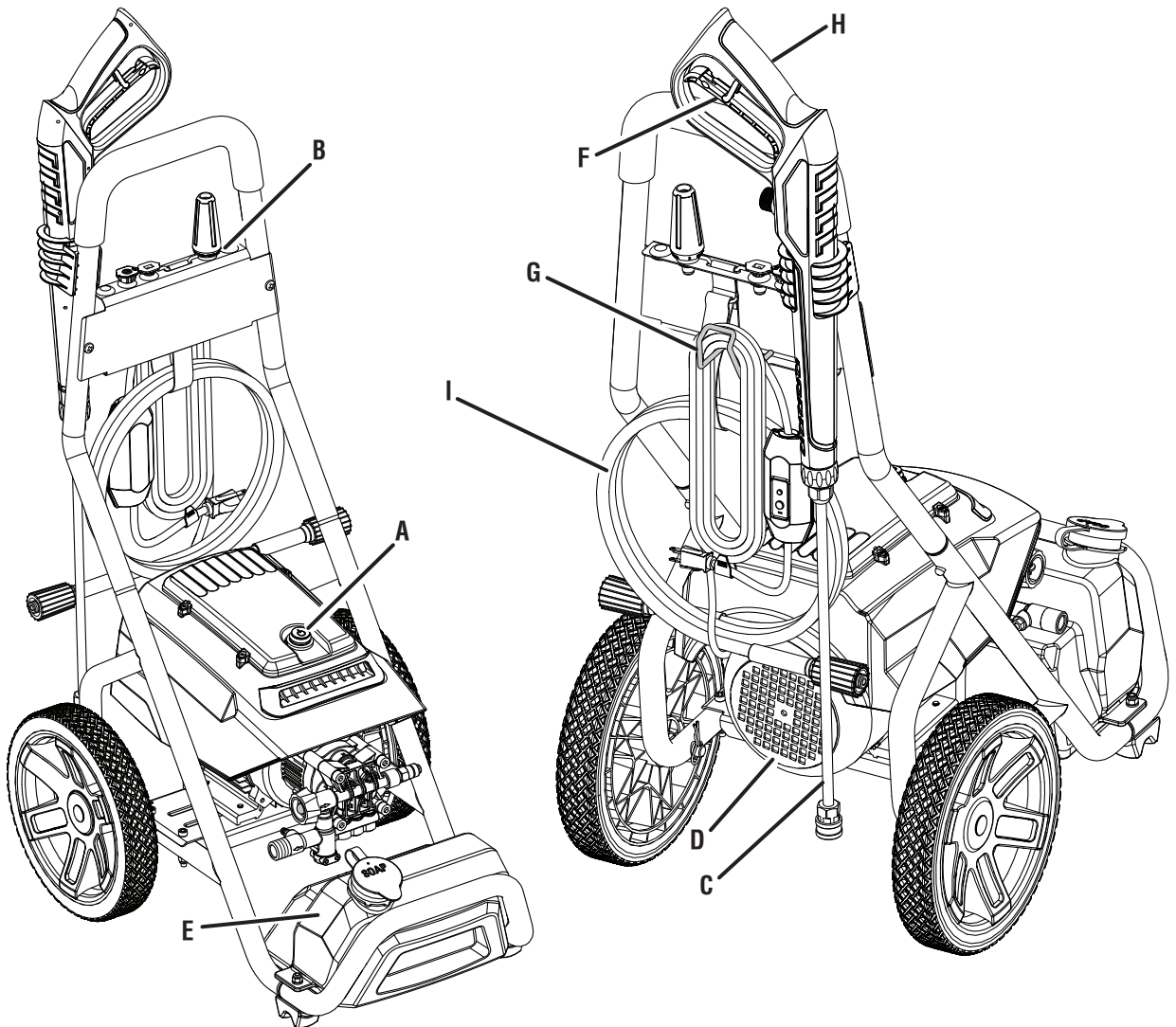


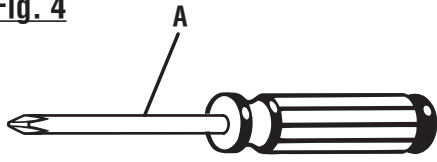
Fig. 3



A - On/off switch (interruptor de encendido)
 B - Nozzle storage (almacenamiento para boquilla)
 C - Spray wand (tubo rociado)
 D - Motor (motor)
 E - Soap tank (tanque de jabón)

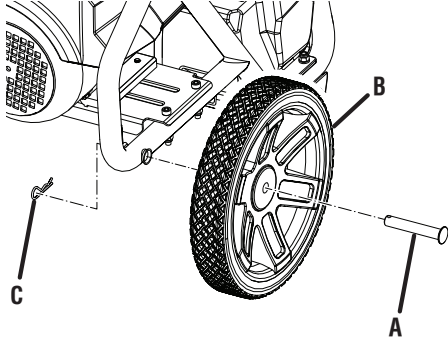
F - Trigger with lock-out (gatillo con seguro)
 G - Power cord storage bracket (soporte para almacenamiento del cordón eléctrico)
 H - Trigger handle (mango del gatillo)
 I - High pressure hose (manguera de alta presión)

Fig. 4



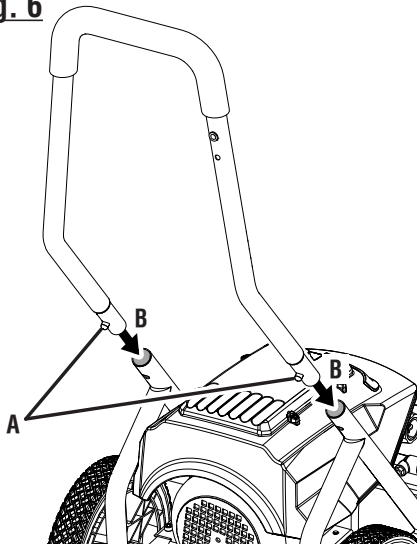
A - Phillips screwdriver (destornillador Phillips)

Fig. 5



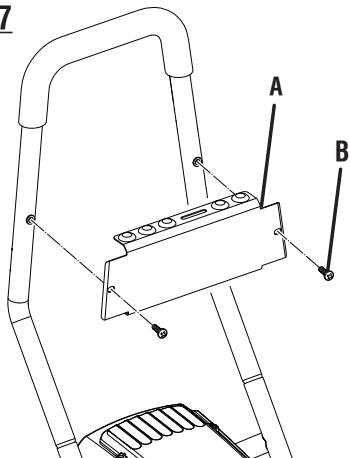
A - Axle (eje)
B - Wheel (rueda)
C - Hitch pin (pasador del enganche)

Fig. 6



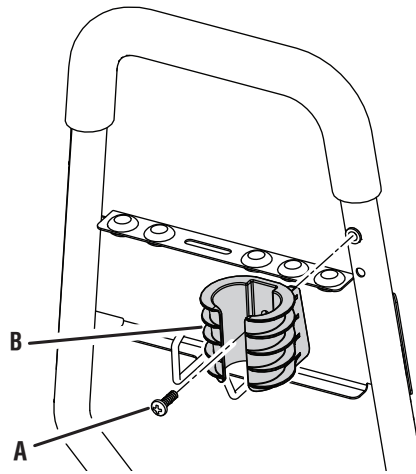
A - Button (botón)
B - Push to insert (presione para insertar)

Fig. 7



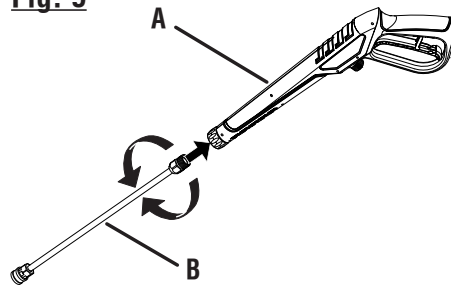
A - Nozzle storage bracket (soporte de almacenamiento de las boquillas)
B - Screw (tornillo)

Fig. 8



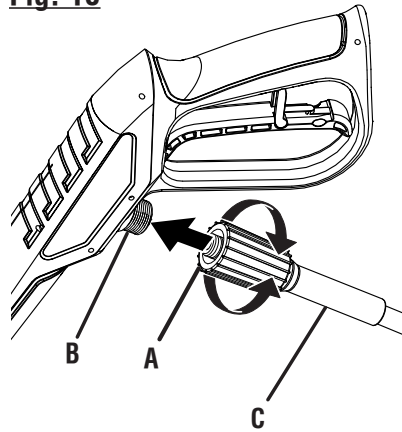
A - Screw (tornillo)
B - Trigger handle holder (sujetadore del mango del gatillo)

Fig. 9



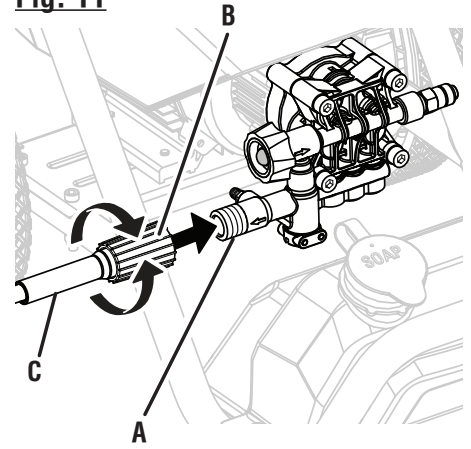
A - Trigger handle (mango del gatillo)
B - Spray wand (tubo rociador)

Fig. 10



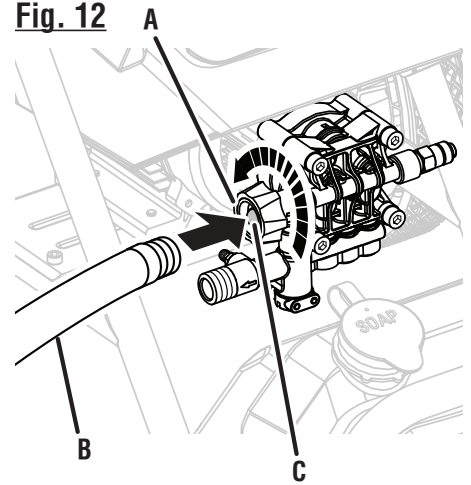
A - Collar (casquillo)
B - Inlet coupler (acoplador de entrada)
C - High pressure hose (manguera de alta presión)

Fig. 11



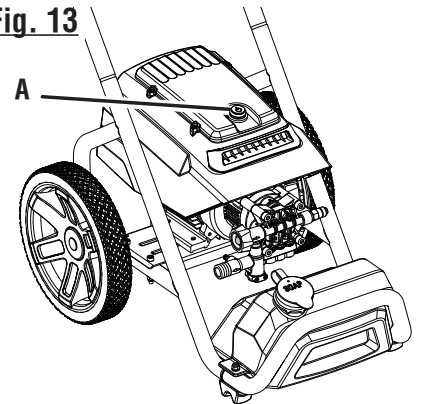
A - Threaded outlet (conexión roscada)
B - Collar (casquillo)
C - High pressure hose (manguera de alta presión)

Fig. 12



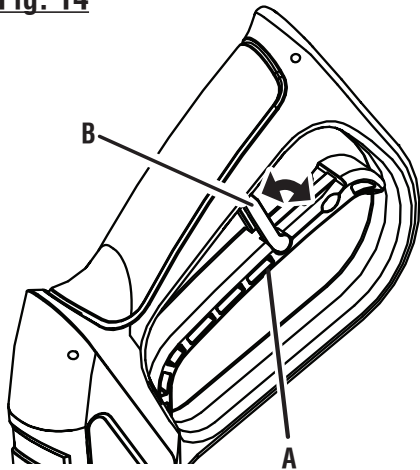
A - Water intake (entrada de agua)
B - Garden hose (manguera de jardín)
C - Screen (tamis, cedazo)

Fig. 13



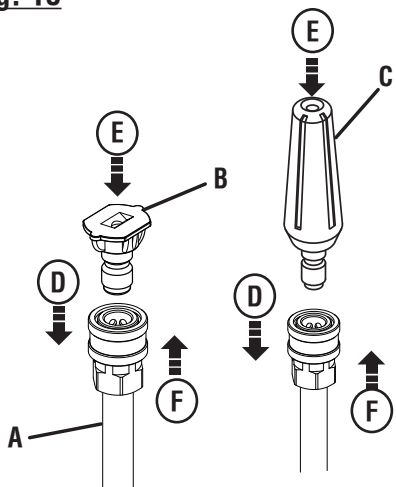
A - On/off switch (interruptor de encendido/apagado)

Fig. 14



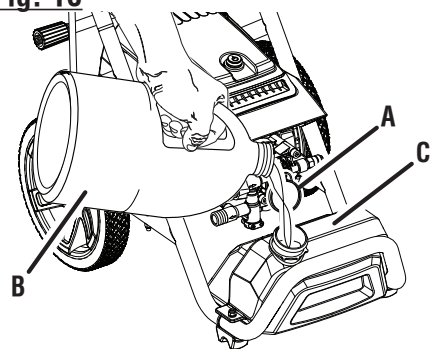
- A - Trigger (gatillo)
- B - Lock-out (seguro)

Fig. 15



- A - Spray wand (tubo rociador)
- B - Nozzle (boquilla)
- C - Turbo nozzle (boquilla de turbo)
- D - Pull back the quick-connect collar (tire del collar de conexión rápida)
- E - Push the nozzle into place (introduzca la boquilla en su lugar)
- F - Push the collar forward (empuje del collar adelante)

Fig. 16



- A - Cap (tapa)
- B - Detergent (detergente)
- C - Soap tank (tanque de jabón)

Fig. 17

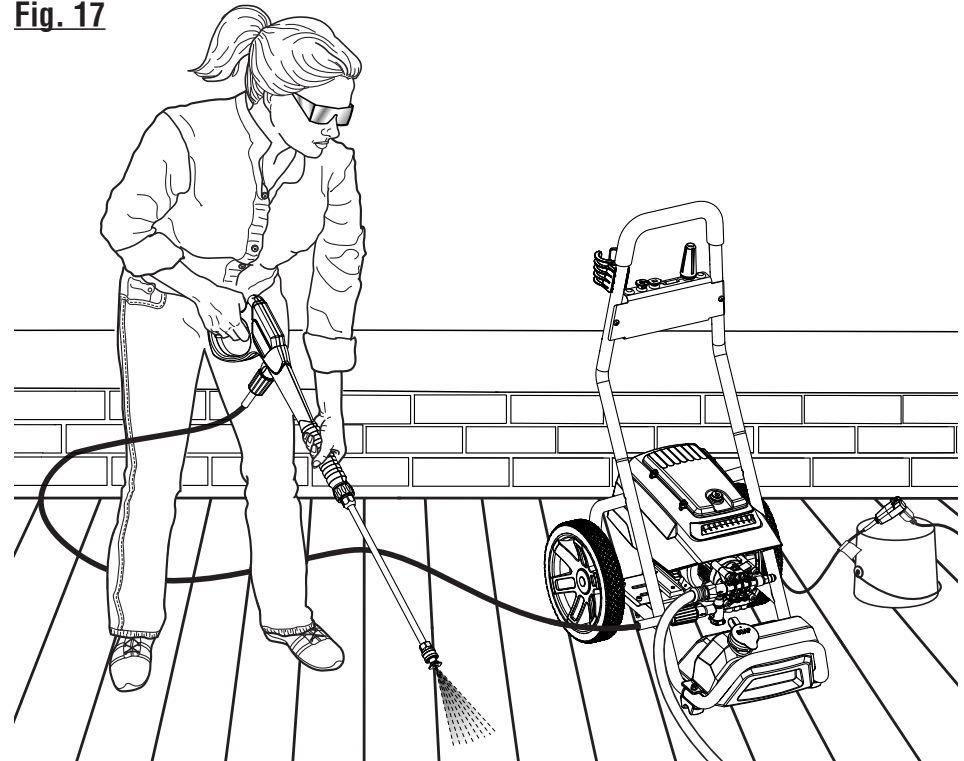
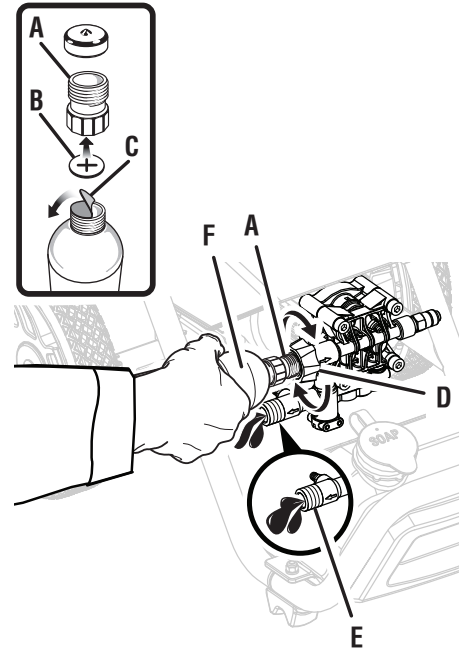
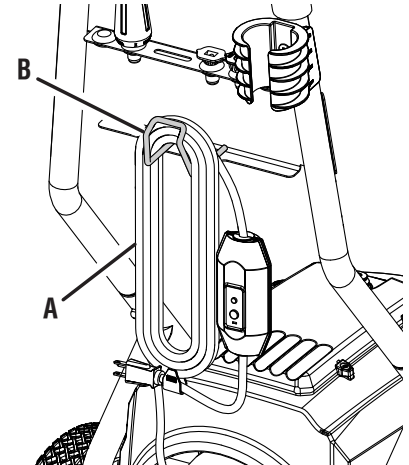


Fig. 18



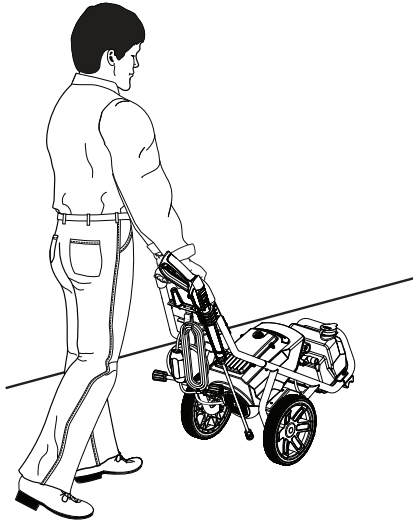
- A - Threaded top (parte superior roscada)
- B - Rubber seal (sello de goma)
- C - Paper seal (sello de papel)
- D - Water intake (entrada de agua)
- E - Pump outlet (orificio de descarga de la bomba)
- F - Pump protector (protector de bomba)

Fig. 19



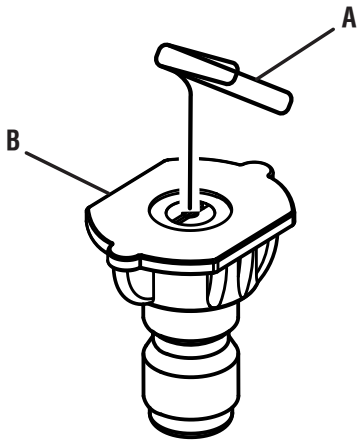
- A - Power cord (cordón de corriente)
- B - Power cord storage bracket (soporte para almacenamiento del cordón eléctrico)

Fig. 20



**TO MOVE THE MACHINE
PARA MOVER LA MÁQUINA**

Fig. 21



A - Straightened paper clip (not included) [clip para papel abierto (no incluido)]
B - Nozzle (boquilla)

Fig. 22

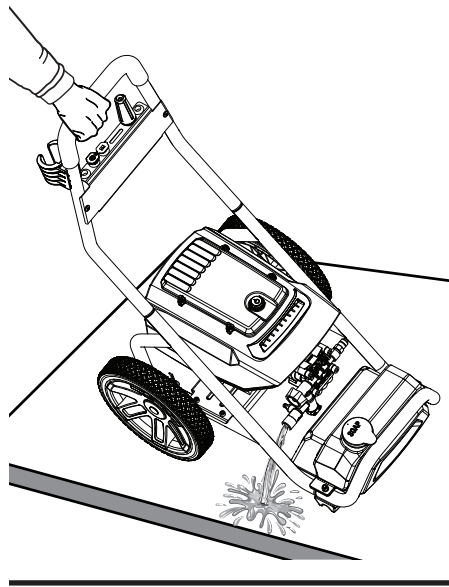
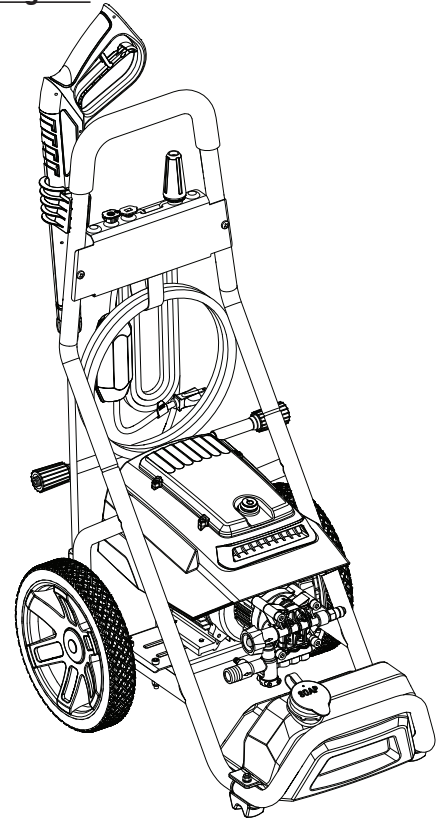


Fig. 23



**TO STORE THE MACHINE
PARA GUARDAR LA MÁQUINA**

IMPORTANT SAFETY INSTRUCTIONS

WARNING:

Read and understand all instructions. Failure to follow all instructions listed below may result in electric shock, fire, and/or serious personal injury.

WARNING:

When using this product basic precautions should always be followed, including the following:

READ ALL INSTRUCTIONS BEFORE USING THIS PRODUCT

- **To reduce the risk of injury**, close supervision is necessary when a product is used near children.
- **Be thoroughly familiar with controls.** Know how to stop the product and release pressure quickly.

- **Stay alert and exercise control.** Watch what you are doing and use common sense. Do not operate product when you are tired. Do not rush.
- **Do not operate the product while under the influence of drugs, alcohol, or any medication.**
- **Keep the area of operation clear of all persons**, particularly small children, and pets.
- **Don't overreach or stand on a ladder, rooftop, or other unstable support.** Keep proper footing and balance at all times.
- **Follow the maintenance instructions specified in this manual.**
- **This product is provided with a ground fault circuit interrupter built into the power cord plug.** If replacement of the plug or cord is needed, use only identical replacement parts.
- **WARNING: Risk of injection or injury** – Do not direct discharge stream at persons.

SAVE THESE INSTRUCTIONS

GROUNDING INSTRUCTIONS

This product must be grounded. If it should malfunction or breakdown, grounding provides a path of least resistance for electric current to reduce the risk of electric shock. This product is equipped with a cord having an equipment-grounding conductor and a grounding plug. The plug must be plugged into an appropriate outlet that is properly installed and grounded in accordance with all local codes and ordinances.

DANGER: Improper connection of the equipment-grounding conductor can result in a risk of electrocution. Check with a qualified electrician or service personnel if you are in doubt as to whether the outlet is properly grounded. Do not modify the plug provided with the product – if it will not fit the outlet, have a proper outlet installed by a qualified electrician. Do not use any type of adaptor with this product.

GROUND FAULT CIRCUIT INTERRUPTER PROTECTION

This pressure washer is provided with a ground-fault circuit-interrupter (GFCI) built into the plug of the power supply cord. This device provides additional protection from the risk of electric shock. Should replacement of the plug or cord become necessary, use only identical replacement parts that include GFCI protection.

EXTENSION CORDS

See Figure 1.

Use only 3-wire extension cords that have 3-prong grounding-type plugs and 3-pole cord connectors that accept the plug from the product. Use only extension cords that are intended for outdoor use. These extension cords are identified by a marking "Acceptable for use with outdoor appliances; store indoors while not in use." Use only extension cords having an electrical rating not less than the rating of the product. Do not use damaged extension cords. Examine extension cord before using and replace if damaged. Do not abuse extension cord and do not yank on any cord to disconnect. Keep cord away from heat and sharp edges. Always disconnect the extension cord from the receptacle before disconnecting the product from the extension cord.

WARNING: To reduce the risk of electrocution, keep all connections dry and off the ground. Do not touch plug with wet hands.

To avoid the possibility of the product plug or outlet getting wet, the operator should arrange a "drip loop" in the cord connecting the product to the outlet. The "drip loop" is that part of the cord below the level of the outlet, or the connector if an extension cord is used, to prevent water traveling along the cord and coming in contact with the outlet.

SPECIFIC SAFETY RULES




- **Use caution when positioning the pressure washer for use.** Warm air from the motor could cause discolored spots on grass.
- **Know your product.** Read the operator's manual carefully. Learn the machine's applications and limitations as well as the specific potential hazards related to this product.
- **To reduce the risk of injury,** keep children and visitors away. All visitors should wear safety glasses and be kept a safe distance from work area.
- **Use right product.** Don't force product or attachment to do a job it was not designed for. Don't use it for a purpose not intended.
- **Dress properly.** Wear long pants and long sleeves. Do not wear loose clothing, neckties, or jewelry. They can get caught and draw you into moving parts. Rubber gloves and nonskid footwear are recommended when working outdoors. Also wear protective hair covering to contain long hair.
- **Do not operate the equipment while barefoot or when wearing sandals or similar lightweight footwear.** Wear protective footwear that will protect your feet and improve your footing on slippery surfaces.
- **Exercise caution to avoid slipping or falling.**
- **Always wear eye protection with side shields marked to comply with ANSI Z87.1.** Following this rule will reduce the risk of serious personal injury.
- **Use only recommended accessories.** The use of improper accessories may cause risk of injury.
- **Check damaged parts.** Before further use of the product, a guard or other part that is damaged should be carefully checked to determine that it will operate properly and perform its intended function. Check for alignment of moving parts, binding of moving parts, breakage of parts, mounting, and any other conditions that may affect its operation. A guard or other part that is damaged must be properly repaired or replaced by an authorized service center to avoid risk of personal injury.
- **Never leave product running unattended. Turn power off.** Don't leave product until it comes to a complete stop.
- **Keep the motor free of grass, leaves, or grease** to reduce the chance of a fire hazard.
- **Follow manufacturer's recommendations for safe loading, unloading, transport, and storage of machine.**
- **Keep product dry, clean, and free from oil and grease.** Always use a clean cloth when cleaning. Never use brake fluids, gasoline, petroleum-based products, or any solvents to clean product.
- **Check the work area before each use.** Remove all objects such as rocks, broken glass, nails, wire, or string which can be thrown or become entangled in the machine.
- **Do not use product if switch does not turn it off.** Have switch replaced by an authorized service center.
- **Avoid dangerous environment.** Don't expose to rain. Keep work area well lit.
- **Do not abuse the cord.** Never use the cord to carry the product or to disconnect the plug from an outlet. Keep cord away from heat, oil, sharp edges, or moving parts. Replace damaged cords immediately. Damaged cords increase the risk of electric shock.
- **Ground Fault Circuit Interrupter (GFCI) protection should be provided on the circuit(s) or outlet(s) to be used for the product.** Receptacles are available having built-in GFCI protection and may be used for this measure of safety.
- **This pressure washer is not recommended for use with an extension cord. If an extension cord must be used, please make sure it is in good condition.** When using an extension cord, be sure to use one heavy enough to carry the current your product will draw. A wire gauge size (A.W.G.) of at least **12** is recommended for an extension cord 25 feet or less in length. If in doubt, use the next heavier gauge. The smaller the gauge number, the heavier the cord. An undersized cord will cause a drop in line voltage resulting in loss of power and overheating.
- **WARNING:** Use outdoor extension cords marked SW-A, SOW-A, STW-A, STOW-A, SJW-A, SJTW-A, or SJTOWA. These cords are rated for outdoor use and reduce the risk of electric shock.
- **Inspect extension cords periodically and replace if damaged.** Keep handles dry, clean, and free from oil or grease.
- **Never direct a water stream toward people or pets, or any electrical device.**
- **Before starting any cleaning operation,** close doors and windows. Clear the area to be cleaned of debris, toys, outdoor furniture, or other objects that could create a hazard.
- **Do not use acids, alkalines, solvents, flammable material, bleaches, or industrial grade solutions** in this product. These products can cause physical injuries to the operator and irreversible damage to the machine.
- **WARNING: High pressure jets can be dangerous if subject to misuse.** The jet must not be directed at persons, animals, electrical devices, or the machine itself.
- **Keep the motor away from flammables and other hazardous materials.**
- **Check bolts and nuts** for looseness before each use. A loose bolt or nut may cause serious motor problems.
- **Before storing, allow the motor to cool.**
- **When servicing use only identical replacement parts.** Use of any other parts may create a hazard or cause product damage.

SPECIFIC SAFETY RULES







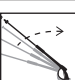


- **ONLY** use cold water.
- **Never pick up or carry the machine while the motor is running.**
- **Never start the machine** if ice has formed in any part of the equipment.
- **Make sure minimum clearance of 3 feet is maintained from combustible materials.**
- **Never spray close to the surface to be cleaned,** as you can damage the surface.
- **After stopping the motor, always pull the trigger on the trigger handle to relieve stored pressure in the high pressure hose.** Failure to do so could result in serious personal injury.
- **Ensure the high pressure hose is properly connected before using the product.**
- **Connect pressure washer only to an individual branch circuit.**
- **Hold the trigger handle securely with both hands.** Expect the trigger handle to move when the trigger is pulled due to reaction forces. Failure to do so could cause loss of control and injury to yourself and others.
- **For outdoor use only.**
- **Save these instructions.** Refer to them frequently and use them to instruct other users. If you loan someone this product, loan them these instructions also.

SYMBOLS

The following signal words and meanings are intended to explain the levels of risk associated with this product.

SYMBOL	SIGNAL	MEANING
	DANGER:	Indicates a hazardous situation, which, if not avoided, will result in death or serious injury.
	WARNING:	Indicates a hazardous situation, which, if not avoided, could result in death or serious injury.
	CAUTION:	Indicates a hazardous situation, that, if not avoided, may result in minor or moderate injury.
	NOTICE:	(Without Safety Alert Symbol) Indicates information considered important, but not related to a potential injury (e.g. messages relating to property damage).

Some of the following symbols may be used on this product. Please study them and learn their meaning. Proper interpretation of these symbols will allow you to operate the product better and safer.

SYMBOL	NAME	DESIGNATION/EXPLANATION
	Safety Alert	Indicates a potential personal injury hazard.
	Read Operator's Manual	To reduce the risk of injury, user must read and understand operator's manual before using this product.
	Eye Protection	Always wear eye protection with side shields marked to comply with ANSI Z87.1.
	Wet Conditions Alert	Do not expose to rain or use in damp locations, and never direct a water stream toward any electrical device.
	Risk of Injection	To reduce the risk of injection or injury, never direct a water stream towards people or pets or place any body part in the stream. Leaking hoses and fittings are also capable of causing injection injury. Do not hold hoses or fittings.
	Risk of Explosion	Do not spray flammable liquids. Flammable liquids and their vapors are explosive and can cause severe burns or death.
	Kickback	To reduce the risk of injury from kickback, hold the spray wand securely with both hands when the machine is on.
	Electric Shock	Do not use near electric power lines or receptacle outlets.
	Chemical Burns	To reduce the risk of injury or damage, DO NOT USE ACIDS, ALKALINES, BLEACHES, SOLVENTS, FLAMMABLE MATERIAL, OR INDUSTRIAL GRADE SOLUTIONS in this product.

SYMBOLS

Some of the following symbols may be used on this product. Please study them and learn their meaning. Proper interpretation of these symbols will allow you to operate the product better and safer.

SYMBOL	NAME	DESIGNATION/EXPLANATION
V	Volts	Voltage
A	Amperes	Current
Hz	Hertz	Frequency (cycles per second)
W	Watt	Power
~	Alternating Current	Type of current
n_0	No Load Speed	Rotational speed, at no load
.../min	Per Minute	Revolutions, strokes, surface speed, orbits etc., per minute

ELECTRICAL

EXTENSION CORDS

When using a power tool at a considerable distance from a power source, be sure to use an extension cord that has the capacity to handle the current the product will draw. An undersized cord will cause a drop in line voltage, possibly resulting in **overheating, loss of power, and/or circuit breaker or GFCI tripping**. Use the chart to determine the minimum wire size required in an extension cord. Only round jacketed cords listed by Underwriter's Laboratories (UL) should be used.

When working outdoors with a product, use an extension cord that is designed for outside use. This type of cord is designated with "WA" or "W" on the cord's jacket.

Before using any extension cord, inspect it for loose or exposed wires and cut or worn insulation.

It is possible to tie the extension cord and power cord in a knot to prevent them from becoming disconnected during use. Make a knot, then connect the plug end of the power cord into the receptacle end of the extension cord. This method can also be used to tie two extension cords together.

NOTE: This pressure washer is not recommended for use with an extension cord. If using an extension cord, arrange a drip loop to avoid the possibility of the tool plug getting wet (see page 2).

USE ONLY THIS SIZE EXTENSION CORD WHEN USING THIS PRODUCT:

Cord Length	Wire Size (A.W.G.)
25 ft.	12
50 ft.	Not Allowed

NOTE: A.W.G. = American Wire Gauge

WARNING:

Keep the extension cord clear of the working area. Position the cord so that it will not get caught on lumber, tools, or other obstructions while you are working with a power tool. Failure to do so can result in serious personal injury.

WARNING:

Check extension cords before each use. If damaged replace immediately. Never use the product with a damaged cord since touching the damaged area could cause electrical shock resulting in serious injury.

ELECTRICAL

ELECTRICAL CONNECTION

This product has a precision-built electric motor. It should be connected to a **power supply that is nominal 120V/60Hz AC (typical U.S. household circuit)**. Do not operate this product on direct current (DC). A substantial voltage drop will cause a loss of power and the motor will overheat. If the product does not operate when plugged into an outlet, double-check the power supply.

GROUNDING INSTRUCTIONS

This product must be grounded. In the event of a malfunction or breakdown, grounding provides a path of least resistance for electric current to reduce the risk of electric shock. This product is equipped with an electric cord having an equipment-grounding conductor and a grounding plug. The plug must be plugged into a matching outlet that is properly installed and grounded in accordance with all local codes and ordinances.

Do not modify the plug provided. If it will not fit the outlet, have the proper outlet installed by a qualified electrician.

WARNING:

Improper installation of a grounded plug increase the risk of electric shock. When repair or replacement of the cord or plug is required, take the tool to an authorized service center.

Check with a qualified electrician or service personnel if the grounding instructions are not completely understood, or if in doubt as to whether the product is properly grounded.

Repair or replace a damaged or worn cord immediately.

This product is for use on a nominal 120 V circuit and has a grounding plug similar to the plug illustrated in figure 2. Only connect the product to an outlet having the same configuration as the plug. Do not use an adapter with this product.

GROUND FAULT CIRCUIT INTERRUPTER

See Figure 2.

This unit is equipped with a Ground Fault Circuit Interrupter (GFCI), which guards against the hazards of ground fault currents. An example of ground fault current is the current that would flow through a person who is using an appliance with faulty insulation and, at the same time, is in contact with an electrical ground such as a plumbing fixture, wet floor, or earth.

GFCI plugs do not protect against short circuits, overloads, or shocks.

NOTE: To ensure readiness for use, press the reset button each time you connect the pressure washer to the power supply.

The GFCI plug can be tested with the TEST and RESET buttons.

To test:

- Press the TEST button. You will hear a “click” sound and the LED light will go out.
- To restore power, press the RESET button. The LED light will illuminate to indicate power has been restored.

Perform this test monthly to ensure proper operation of the GFCI.

- **To reduce the risk of electric shock the supervisory circuit must be operated before an appliance is plugged into any receptacle on the device.**

FEATURES

PRODUCT SPECIFICATIONS

Maximum Pounds Per Square Inch*	2,200 psi
Maximum Gallons Per Minute	1.2 GPM
Input	120 V, AC only, 60 Hz, 13 Amps

*Max. rating determined by PWMA Standard 101

KNOW YOUR PRESSURE WASHER

See Figure 3.

The safe use of this product requires an understanding of the information on the product and in this operator's manual as well as a knowledge of the project you are attempting. Before use of this product, familiarize yourself with all operating features and safety rules.

AUTOMATIC SOAP INJECTION SYSTEM

Pour pressure washer detergent into the soap tank to apply detergent quickly and easily to your cleaning project. Use of the soap nozzle will activate the soap injector at a 20:1 dilution ratio.

GFCI PLUG

The pressure washer is equipped with a GFCI plug to guard against the hazards of ground fault currents. This plug does not protect against short circuits, overloads, or shocks.

ON/OFF SWITCH

This switch turns the pressure washer on and off.

POWER CORD STORAGE BRACKET

Store the power cord on the convenient storage bracket when the pressure washer is not in use. Easily secure and release with the attached bungee cord.

TRIGGER HANDLE

The trigger handle has a gripping surface that provides added control of the spray wand and helps reduce fatigue.

TRIGGER WITH LOCK-OUT

Pulling the trigger releases a stream of water for high pressure cleaning. The lock-out provides protection against unauthorized use.

ASSEMBLY

UNPACKING

This product requires assembly.

- Carefully remove the product and any accessories from the box. Make sure that all items listed in the packing list are included.

WARNING:

Do not use this product if any parts on the Packing List are already assembled to your product when you unpack it. Parts on this list are not assembled to the product by the manufacturer and require customer installation. Use of a product that may have been improperly assembled could result in serious personal injury.

- Inspect the product carefully to make sure no breakage or damage occurred during shipping.
- Do not discard the packing material until you have carefully inspected and satisfactorily operated the product.
- If any parts are damaged or missing, please call 1-877-617-3501 for assistance.

PACKING LIST

- Electric Pressure Washer
- Handle
- Trigger Handle
- Spray Wand
- Nozzle Storage Bracket
- Trigger Handle Holder
- Phillips Head Screws (3)
- 25 ft. High Pressure Hose
- Wheels (2)
- Axles (2)
- Hitch Pins (2)
- Nozzles (15°, Turbo, Soap)
- Operator's Manual

WARNING:

If any parts are damaged or missing do not operate this product until the parts are replaced. Use of this product with damaged or missing parts could result in serious personal injury.

ASSEMBLY

WARNING:

Do not attempt to modify this product or create accessories not recommended for use with this product. Any such alteration or modification is misuse and could result in a hazardous condition leading to possible serious personal injury.

WARNING:

Do not connect to power supply until assembly is complete. Failure to comply could result in accidental starting and possible serious personal injury.

TOOLS NEEDED

See Figure 4.

The following tool (not included or drawn to scale) is needed for assembly:

- Phillips Screwdriver

INSTALLING THE WHEELS

See Figure 5.

- Locate the axles, hitch pins, and wheels.
- Slide the axle through the hole in the center of the wheel.
- Lift the machine and slide the axle into the wheel mounting hole in the machine base as shown.
- Push the hitch pin into the hole on the end of the axle to secure the wheel assembly.

NOTE: The hitch pin should be pushed into the axle until the center of the pin rests on top of the axle.

- Repeat with the second wheel.

INSTALLING THE HANDLE AND NOZZLE STORAGE BRACKET

See Figures 6 - 7.

Installing the handle:

CAUTION:

Be careful to avoid pinching your fingers or hands when installing the handle onto the frame.

Push and hold the push-pin button on the side of the handle as you slide the handle onto the frame.

NOTE: Before use, pull the handle up until the lock button snaps through the locking slots to secure the handle in place.

Installing the nozzle storage bracket:

- Align the nozzle storage bracket with the holes in the handle, as shown.
- Install screws and tighten securely.

INSTALLING THE TRIGGER HANDLE HOLDER

See Figure 8.

- Align the trigger handle holder with the hole in the handle, as shown.
- Install the screw and tighten securely.

CONNECTING THE SPRAY WAND TO THE TRIGGER HANDLE

See Figure 9.

- Place the threaded end of the spray wand in the connector on the end of the trigger handle.
- Turn the connector until it stops to secure the spray wand in place.

CONNECTING THE HIGH PRESSURE HOSE TO THE TRIGGER HANDLE

See Figure 10.

- Screw the collar on the high pressure hose onto the trigger handle inlet coupler by turning the hose collar clockwise. Tighten securely.
- **NOTE:** Be careful to avoid cross-threading, which can cause the trigger handle to leak during use.
- Pull on the hose to be certain it is properly secured.

CONNECTING THE HIGH PRESSURE HOSE TO THE PUMP

See Figure 11.

- Completely uncoil and straighten the high pressure hose to prevent kinks.
- **NOTE:** See **Using the High Pressure Hose in Operation** for more information about using the high pressure hose.
- Align the collar on the hose to the threaded outlet on the pump.
- Install the high pressure hose collar onto the threaded outlet.
- Turn the collar clockwise to tighten the hose securely to the pump.
- **NOTE:** Be careful to avoid cross-threading, which can cause the hose to leak during use.
- Pull on the hose to be certain it is properly secured.

ASSEMBLY

CONNECTING THE GARDEN HOSE TO THE PRESSURE WASHER

See Figure 12.

NOTICE:

Always observe all local regulations when connecting hoses to the water main. Some areas have restrictions against connecting directly to public drinking water supply to prevent the feedback of chemicals into the drinking water supply. Direct connection through a receiver tank or backflow preventer is usually permitted.

The water supply must come from a water main. NEVER use hot water or water from pools, lakes, etc. Before connecting the garden hose to the pressure washer:

- Run water through the hose for 30 seconds to clean any debris from the hose.
- Inspect the screen in the water intake.
- If the screen is damaged, do not use the machine until the screen has been replaced.

- If the screen is dirty, clean it before connecting the garden hose to the machine.

To connect the garden hose to the machine:

- Completely uncoil the garden hose or remove completely from reel to prevent kinks.

NOTE: There must be a minimum of 10 feet of unrestricted hose between the pressure washer intake and the hose faucet or shut off valve (such as a “Y” shut off connector).

- With the hose faucet turned completely off, attach the end of the garden hose to the water intake. Tighten by hand.

NOTICE:

Do not run the pressure washer without water supply connected and turned on, as this may damage the high pressure seals and decrease pump life. Completely unwind the hose from its reel or coil and make sure the hose is not being restricted by tires, rocks, or any other objects that may lessen or prevent water flow to the pressure washer.

OPERATION

WARNING:

Do not allow familiarity with the product to make you careless. Remember that a careless fraction of a second is sufficient to inflict serious injury.

WARNING:

Always wear eye protection with side shields marked to comply with ANSI Z87.1. Failure to do so could result in objects being thrown into your eyes resulting in possible serious injury.

WARNING:

Do not use any attachments or accessories not recommended by the manufacturer of this product. The use of attachments or accessories not recommended can result in serious personal injury.

WARNING:

Never direct a water stream toward people or pets, or any electrical device. Failure to follow these instructions could result in serious injury, electric shock, or death.

NOTICE:

Before each use, inspect the entire product for damaged, missing, or loose parts such as screws, nuts, bolts, caps, etc. Tighten securely all fasteners and caps and do not operate this product until all missing or damaged parts are replaced. Please call customer service or contact an authorized service center for assistance.

APPLICATIONS

You may use this tool around the house for cleaning most small to large horizontal or vertical exterior surfaces, smaller exterior objects and structures, and outdoor equipment and tools.* You can:

OPERATION

- Clean or remove mold and mildew from weathered decks, driveways, patios, walkways, sidewalks, etc.
- Remove dirt from various exterior vertical surfaces such as house exteriors, siding, fences, brick, concrete or stone walls, etc.
- Wash boats, outdoor furniture, powered or non-powered garden equipment, gutters, window screens, grills, play-ground equipment, etc.

**Always test in an inconspicuous area first.*

STARTING AND STOPPING THE PRESSURE WASHER

See Figure 13.

NOTICE:

Do not run the pressure washer without water supply connected and turned on, as this may damage the high pressure seals and decrease pump life. Completely unwind the hose from its reel or coil and make sure the hose is not being restricted by tires, rocks, or any other objects that may lessen or prevent water flow to the pressure washer.

Before starting the motor:

- Connect all hoses.

NOTE: Make sure the pressure washer's water intake screen is in place and unclogged before connecting garden hose.

- Turn on the garden hose then pull the trigger to relieve air pressure; hold the trigger until a steady stream of water appears.

NOTE: Make sure the faucet is turned on fully and that there are no kinks or leaks in the hose.

To start the motor:

- With the on/off switch in the **OFF** position, connect the pressure washer to the power supply.

NOTE: If using an extension cord, make sure to arrange a drip loop as described on page 2.

WARNING:

To reduce the risk of electrocution, keep all connections dry and off the ground. Do not touch plug with wet hands.

- Press the reset button on the pressure washer's plug to make sure the unit is ready for operation.

- Put the on/off switch in the **ON** position to start the motor.

NOTICE:

Routinely make a visual inspection of the pump and motor during use. If you notice any lubricant leaking around the pump or motor seals, stop using the pressure washer immediately. Contact customer service or a qualified service center for repair. Failure to do so may cause property damage.

To stop the motor:

- Put the on/off switch in the **OFF** position.
- Pull trigger to release water pressure.

NOTE: The pressure washer may be on and the system may have pressure even when the pump and/or motor cannot be heard running. Always use caution around the pressure washer.

USING THE TRIGGER HANDLE

See Figure 14.

WARNING:

Hold the trigger handle securely with both hands. Expect the trigger handle to move when the trigger is pulled due to reaction forces. Failure to do so could cause loss of control and injury to yourself and others.

- Pull back and hold the trigger to operate the pressure washer.
- Release the trigger to stop the flow of water through the nozzle.

To engage the lock out:

- Push up on the lock out until it clicks into the slot.

To disengage the lock out:

- Push the lock out down and into its original position.

Start with the nozzle 1–2 ft. away from the cleaning surface and carefully approach the surface just until the desired level of cleaning is achieved. If the spray is too close it can damage the cleaning surface.

SELECTING THE RIGHT NOZZLE FOR THE JOB

See Figure 15.

Each of the nozzles has a different spray pattern. Before starting any cleaning job, determine the best nozzle for the job. Refer to the **Nozzle Selection Guide** for more information about which nozzle to choose.

OPERATION

NOZZLE SELECTION GUIDE

TURBO NOZZLE		15°	SOAP	HIGH PRESSURE (NO SOAP WHEN USING THESE NOZZLES)	LOW PRESSURE (FOR SOAP OR GENTLE RINSE)	
						Turbo Nozzle
Concrete, Brick, Masonry		✓	✓	✓	✓	
Siding, Gutters, House			✓	✓	✓	
Fencing, Deck, Patio			✓	✓	✓	
Lawn Equipment, Boat, RV			✓	✓	✓	
				✓ Recommended Nozzle ✓ Use With Caution for Certain Applications		

⚠ WARNING:

NEVER remove nozzles without first turning off the motor, disconnect from power supply, relieving the water pressure in the trigger handle, and locking the lock out on the trigger handle. NEVER point the nozzle at your face or at others. The quick-connect feature contains small springs that could eject the nozzle with some force. Failure to follow these instructions could result in an eye injury or other serious personal injury.

To connect a nozzle to the spray wand:

- Turn off the pressure washer, disconnect from power supply, and shut off the water supply. **Pull trigger to release water pressure.**
- Engage the lock-out on the trigger handle by pushing up on the lock-out until it clicks into the slot.
- Pull back the quick-connect collar.
- Push the nozzle into place in the spray wand.
- Push the collar forward so that the nozzle is secured properly. Check to see that the nozzle is secure.

To disconnect a nozzle from the spray wand once the cleaning job is complete:

- Turn off the pressure washer, disconnect from power supply, and shut off the water supply. **Pull trigger to release water pressure.**
- Engage the lock-out on the trigger handle by pushing up on the lock-out until it clicks into the slot.
- Pull back and hold the quick-connect collar.
- Remove the nozzle by pulling it from the quick-connect collar. Place nozzle in the nozzle storage area on the top of the machine.

USING THE HIGH PRESSURE HOSE

⚠ WARNING:

Injection hazard. Fully unwrap and straighten high pressure hose prior to and during each use and do not allow it to become kinked. The high pressure hose features an outer covering that provides strength to the hose. If the outer covering becomes damaged, stop using the hose and replace it immediately. A kinked or damaged hose can develop a high pressure leak and result in a possible injection or other serious personal injury.

OPERATION

To prevent damage to the outer covering:

- Inspect the hose before every use.
- Fully unwrap and straighten hose before use.
- Do not allow the high pressure hose to be kinked.
- Keep hose away from hot surfaces and sharp edges.
- Do not pull unit by high pressure hose.
- Do not allow hose to be crushed or wrapped around objects.

WASHING WITH DETERGENT

See Figures 16 - 17.

As sold, this unit is designed for use with “downstream” pressure washer detergents. To convert for use with “upstream” detergents, contact customer service or an authorized service center for more information.

NOTICE:

USE ONLY DETERGENTS DESIGNED FOR PRESSURE WASHERS. Do not use household detergents, acids, alkalines, bleaches, solvents, flammable material, or industrial grade solutions, which can damage the pump or cause property damage. Many detergents may require mixing prior to use. Prepare cleaning solution as instructed on the solution bottle. Always test in an inconspicuous area before beginning.

- Disconnect pressure washer from power supply.
- Pour detergent in the soap tank. Use a funnel, if needed, to prevent accidental spilling of the detergent outside the tank. If any detergent is spilled during the filling process, make sure the unit is cleaned and dried before proceeding.
NOTE: The machine setting of this unit is 20:1, which usually allows the use of 1 gallon pressure washer detergent without further dilution. Check your detergent instructions to be sure additional dilution is not necessary.
- Install the blue or black soap nozzle on the spray wand.
- Connect unit to power supply and turn the pressure washer on.
- Squeeze the trigger and wait approximately 5 seconds for the detergent to appear.
- Spray the detergent on a dry surface using long, even, overlapping strokes. To prevent streaking, do not allow detergent to dry on the surface.

Before shutting off the motor:

- Fill the soap tank with clean water.
- Spray the clear water through the spray wand until the tank is empty.
- If any detergent remains in the spray, repeat with a second tank of clean water.
- Shut off the motor.

NOTE: Shutting off the motor will not relieve pressure in the system. **Pull trigger to release water pressure.**

RINSING WITH THE PRESSURE WASHER

- Turn off the pressure washer and shut off the water supply. **Pull trigger to release water pressure.**
- Engage the lock out on the trigger handle by pushing up on the lock out until it clicks into the slot.
- Remove the soap nozzle and place it in the nozzle storage area on the machine.
- Select the right nozzle for the job. See the chart shown earlier in the manual to select the appropriate nozzle.
- Start at the top of the area to be rinsed and work down, overlapping the strokes.

USING PUMP PROTECTOR

See Figure 18.

Regular use of a commercially available pump protector prolongs the life of the pressure washer by removing hard water mineral deposits, lubricating pump seals and pistons, and preventing freeze damage. Pump protector should be added to the unit after every use and before storage. Pump protector can be purchased at the retailer where you purchased your pressure washer, or by calling customer service.

The instructions that follow are typical for adding pump protector but you should always verify the specific instructions provided by the manufacturer of the pump protector used.

- Turn off the pressure washer motor and shut off the water supply. **Pull trigger to release water pressure.**
- Disconnect garden hose and high pressure hose.
- Unscrew threaded top from pump protector bottle and remove paper seal from bottle. Reinstall top on bottle and tighten securely.
NOTE: The rubber seal should remain inside the threaded top. If it comes out, be sure to replace before reinstalling the top.
- Remove bottle cap and attach threaded end of bottle securely to pressure washer pump water intake.
- Squeeze bottle to inject contents into pump.
- Pump is protected when the protector fluid exits the pump outlet.

POWER CORD STORAGE

See Figure 19.

When it is not in use, the power cord may be coiled and suspended from the storage hook on the handle.

To secure the power cord in place, use the attached bungee cord.

OPERATION

MOVING THE PRESSURE WASHER

See Figure 20.

NOTE: Never lift or carry this product using the handle and never place the unit in any position other than upright on its wheels.

- Turn the pressure washer off. Point nozzle in a safe direction and pull trigger to release water pressure.

- Tilt the machine toward you slightly until it balances on the wheels then roll the machine to the desired position. Do not tilt forward or sideways when moving.
- DO NOT attempt to move the unit by pulling on any of the hoses.

MAINTENANCE

WARNING:

Before inspecting, cleaning, or servicing the machine, shut off motor, wait for all moving parts to stop, disconnect unit from power supply, and pull trigger to release water pressure. Failure to follow these instructions can result in serious personal injury or property damage.

WARNING:

Always wear eye protection with side shields marked to comply with ANSI Z87.1. Failure to do so could result in objects being thrown into your eyes, resulting in possible serious injury.

WARNING:

When servicing, use only identical replacement parts. Use of any other parts could create a hazard or cause product damage.

NOTICE:

Periodically inspect the entire product for damaged, missing, or loose parts such as screws, nuts, bolts, caps, etc. Tighten securely all fasteners and caps and do not operate this product until all missing or damaged parts are replaced. Please call customer service or contact an authorized service center for assistance.

GENERAL MAINTENANCE

Avoid using solvents when cleaning plastic parts. Most plastics are susceptible to damage from various types of commercial solvents and may be damaged by their use. Use clean cloths to remove dirt, dust, oil, grease, etc.

WARNING:

Do not at any time let brake fluids, gasoline, petroleum-based products, penetrating oils, etc., come in contact with plastic parts. Chemicals can damage, weaken, or destroy plastic which could result in serious personal injury.

POWER SUPPLY CORD REPLACEMENT

If replacement of the power supply cord is necessary, this must be done by an authorized service center in order to avoid a safety hazard.

PUMP LUBRICATION

The pump on this unit is lubricated with a sufficient amount of high grade lubricant for the life of the unit under normal operating conditions. Therefore, no further lubrication is required.

PUMP MAINTENANCE

Routinely make a visual inspection of the pump. If you notice any leaking of lubricant around the pump seals, take the pressure washer to an authorized service center for repair.

There are no user serviceable parts to the pressure washer pump. Any attempt to service or alter the pump may damage the pressure washer and void your product warranty.

NOZZLE MAINTENANCE

See Figure 21.

Excessive pump pressure (a pulsing sensation felt while squeezing the trigger) may be the result of a clogged or dirty nozzle.

- Turn off the pressure washer, disconnect from power supply, and shut off the water supply. **Pull trigger to release water pressure.**
- Remove the nozzle from the spray wand.

MAINTENANCE

WARNING:

NEVER remove nozzles without first turning off the motor, disconnecting from power supply, relieving the water pressure in the trigger handle, and locking the lock out on the trigger handle. NEVER point the nozzle at your face or at others. The quick-connect feature contains small springs that could eject the nozzle with some force. Failure to follow these instructions could result in an eye injury or other serious personal injury.

- To free any foreign materials clogging or restricting the nozzle, blow out or remove debris with a straightened paper clip or fine needle (not included).
- Using a garden hose, flush debris out of nozzle by back flushing (running the water through the nozzle backwards or from the outside to the inside).
- Reconnect the nozzle to the spray wand.
- Turn on the water supply and start the motor.

STORING THE PRESSURE WASHER

See Figures 22 - 23.

NOTE: Regular use of pump protector will give you better performance of the unit and increase the life of the pump.

Store in a dry, covered area where the weather can't damage it. It is important to store this product in a frost-free area. Always empty water from all hoses, the pump, and the soap tank before storing.

- Make sure the on/off switch is in the **OFF** position.
- Disconnect both the high pressure hose and the garden hose from the pump.
- Tilt the unit as shown to allow any remaining water in the pump to drain from the water inlet.

NOTICE:

If the location where your pressure washer is stored will fall below 32°F, the use of a pump protector is required before storing to prevent freeze damage. Freeze damage will void your warranty.

- Store the unit and accessories in an area that does not reach freezing temperatures. Do not store near furnace or other sources of heat that could dry out the pump seals.

TROUBLESHOOTING

PROBLEM	POSSIBLE CAUSE	SOLUTION
<p>Pressure washer does not start when trigger is depressed</p>	<p>Power cord not connected to power source.</p> <p>The on/off switch is in the OFF position.</p> <p>GFCI is tripped.</p> <p>House/shop circuit breaker is tripped.</p> <p>Water pressure in hose.</p> <p>Receptacle is bad.</p>	<p>Connect the power cord to a live 120V AC, 60 Hz AC receptacle.</p> <p>Put the on/off switch in the ON position.</p> <p>Press reset button on the GFCI plug.</p> <p>Reset house/shop breaker. Make sure pressure washer is connected to an individual branch circuit only. If using an extension cord, make sure it is heavy enough to carry the current of the pressure washer.</p> <p>Squeeze trigger to relieve water pressure.</p> <p>Try another receptacle.</p>
<p>Pump doesn't produce pressure</p>	<p>Inadequate water supply.</p> <p>Spray wand leaks.</p> <p>Nozzle is clogged.</p> <p>Pump is faulty.</p> <p>Air in line.</p> <p>Water inlet filter is clogged or dirty.</p>	<p>Provide adequate water flow.</p> <p>Check connections and/or replace wand.</p> <p>Clean nozzle.</p> <p>Contact authorized service center.</p> <p>Squeeze trigger on spray wand to remove air from line.</p> <p>Remove the water inlet filter, rinse with warm water, then replace in unit.</p>
<p>Machine doesn't reach high pressure</p>	<p>Diameter of garden hose is too small.</p> <p>Water supply is restricted.</p> <p>Not enough inlet water.</p> <p>Hose is leaking.</p> <p>Kink in hose.</p>	<p>Replace with 3/4 in. garden hose.</p> <p>Check garden hose for kinks, leaks, and blockages.</p> <p>Open water source full force.</p> <p>Replace hose.</p> <p>Eliminate kinks in hose.</p>
<p>No detergent</p>	<p>Soap tank is empty.</p> <p>Water supply is inadequate or clogged.</p> <p>Wrong nozzle is attached.</p>	<p>Add additional detergent to tank.</p> <p>Check garden hose for kinks, leaks and blockages.</p> <p>Attach blue or black soap nozzle.</p>
<p>Wand leaks</p>	<p>O-ring needs replacing.</p>	<p>Replace o-ring. If this does not correct the problem, contact your authorized service center to purchase a new wand.</p>

WARRANTY

LIMITED WARRANTY

WARRANTY COVERAGE

OWT Industries, Inc., (the Company) warrants to the original retail purchaser that this PowerStroke Product is free from defects in material and workmanship and agrees to repair or replace, at the Company's sole discretion, any defective Product free of charge within these time periods from the date of purchase:

- Two years, if the Product is used solely for personal, family, or household use;
- 90 days, if the Product is used for business or commercial use.

This warranty applies only to Products sold within the United States of America, the District of Columbia, Canada, Mexico, the Commonwealth of Puerto Rico, the Virgin Islands, Guam, the Canal Zone, or American Samoa.

This warranty is not transferable and does not cover damage resulting from defects other than in material or workmanship, or damage caused by unreasonable use, including the failure to provide reasonable and necessary maintenance.

Other items not covered under this warranty include:

- Transportation charges for sending the product to the Company or its authorized service representative for warranty service, or for shipping repaired or replacement products back to the customer; these charges must be borne by the original retail purchaser.
- Damages caused by abuse, accident, misuse, neglect, alteration, modification, the effects of corrosion, erosion, normal wear and tear or repairs by other than the Company or its authorized service representative.
- In addition this warranty does not cover:
 - Wear items – Cotter Pins, Wheels, High Pressure Hose, Trigger Handle, Nozzle

Warranty is voided if the customer fails to install, maintain and operate the product in accordance with the instructions and recommendations of the Company as set forth in the Product's operator's manual or if the Product is used as rental equipment.

The Company will not pay for repairs or adjustments to the Product, or for any costs or labor, performed without the Company's prior authorization.

SAVE YOUR SALES SLIP

Proof of purchase in the form of your dated sales receipt, cash register slip, etc. showing the serial number and the model of your Product will be required before the Company and/or its authorized service representatives can perform warranty service on the Product.

EXCLUSIONS AND LIMITATIONS

THIS LIMITED WARRANTY IS IN LIEU OF ALL OTHER EXPRESS WARRANTIES. ANY IMPLIED WARRANTY OF MERCHANTABILITY, FITNESS FOR A PARTICULAR PURPOSE, OR OTHERWISE, APPLICABLE TO THIS PRODUCT SHALL BE LIMITED IN DURATION TO THE DURATION OF THIS LIMITED WARRANTY. THE WARRANTY SERVICE DESCRIBED ABOVE IS THE EXCLUSIVE REMEDY UNDER THIS WARRANTY. THE COMPANY SHALL NOT BE LIABLE FOR ANY SPECIAL, INCIDENTAL OR CONSEQUENTIAL DAMAGES.

SOME STATES DO NOT ALLOW A LIMITATION ON THE DURATION OF IMPLIED WARRANTIES, OR THE EXCLUSION OR LIMITATION OF INCIDENTAL, OR CONSEQUENTIAL DAMAGES, SO THE ABOVE LIMITATION OR EXCLUSION MAY NOT APPLY TO YOU.

HOW TO OBTAIN WARRANTY SERVICE

For warranty service: Call toll-free 1-877-617-3501, or write to OWT Industries, Inc., P.O. Box 1427, Anderson, SC 29622.

For warranty service outside the USA, please contact your local PowerStroke dealer.

INSTRUCCIONES DE SEGURIDAD IMPORTANTES



ADVERTENCIA:

Lea y comprenda todas las instrucciones. El incumplimiento de las instrucciones señaladas abajo puede causar descargas eléctricas, incendios y lesiones corporales serias.



ADVERTENCIA:

Al emplear este producto, siempre se deben respetar precauciones básicas, incluidas las siguientes:

LEA TODAS LAS INSTRUCCIONES ANTES DE USAR ESTE PRODUCTO

- **Para reducir el riesgo de lesiones**, se debe supervisar cuidadosamente la utilización de un producto cerca de niños.
- **Familiarícese completamente con los controles**. Aprenda a detener la máquina y a liberar rápidamente la presión.

- **Permanezca alerta y en control**. Preste atención a lo que esté haciendo y aplique el sentido común. No utilice la producto cuando esté cansado. No se apresure.
- **No utilice la unidad si se encuentra bajo los efectos de drogas, alcohol o medicamentos**.
- **Mantenga alejadas del área de trabajo a todas las personas**, particularmente a los niños de corta edad, y también a las mascotas.
- **No se estire ni se pare sobre escalones, escaleras, azoteas o soportes inestables**. Mantenga una postura firme y buen equilibrio en todo momento.
- **Siga las instrucciones de mantenimiento especificadas en este manual**.
- **Este producto cuenta con un interruptor de circuito accionado por falla de conexión a tierra incorporado en la clavija del cordón eléctrico**. Si debe reemplazar la clavija o el cordón, sólo utilice piezas de repuestos idénticas.
- **ADVERTENCIA: Riesgo de inyección o de lesión** – No dirija el chorro hacia las personas.

GUARDE ESTAS INSTRUCCIONES

INSTRUCCIONES DE CONEXIÓN A TIERRA

Este producto debe estar conectado a tierra. Si funcionara mal o se rompiera, la descarga a tierra ofrece una ruta de menor resistencia para la corriente eléctrica y reduce el riesgo de descarga eléctrica. Este equipo está equipado con un cable que cuenta con un conductor de conexión a tierra y un enchufe de conexión a tierra. El enchufe debe estar enchufado en una salida adecuada que esté instalada correctamente, con conexión a tierra según los códigos y ordenanzas locales.

PELIGRO: Una conexión incorrecta del conductor de conexión a tierra puede resultar en riesgo de electrocución. Ante la duda, consulte a un electricista calificado o técnico de servicio si la salida está correctamente conectada a tierra. No modifique el enchufe suministrado con el producto, si no se adapta a la salida, haga que un electricista calificado instale una salida adecuada. No use ningún tipo de adaptador en este producto.

PROTECCIÓN CON INTERRUPTOR DE CIRCUITO ACCIONADO POR FALLA DE CONEXIÓN A TIERRA

Esta lavadora de presión cuenta con un interruptor de circuito accionado por falla de conexión a tierra (GFCI) incorporado en la clavija del cordón eléctrico. Este dispositivo proporciona protección contra el riesgo de descargas eléctricas. Si debe reemplazar la clavija o el cordón, sólo utilice piezas de repuesto idénticas que incluyan la protección con GFCI.

CORDONES DE EXTENSIÓN

Vea la figura 1.

Solo utilice cables de extensión de 3 conductores que tengan enchufes del tipo de conexión de 3 patillas y conectores de 3 polos que se ajusten en el enchufe del producto. Solo use cables de extensión diseñados para exteriores. Estos cables de extensión se identifican por una inscripción: "Aptos para el uso en aparatos para exterior; almacene en el interior cuando no estén en uso". Solo use cables de extensión que cuenten con una calificación eléctrica que no sea menor a la calificación del producto. No use cables de extensión dañados. Examine el cable de extensión antes de usarlo y reemplácelo si está dañado. No maltrate el cable de extensión y no tire de ningún cable para desconectarlo. Mantenga el cable alejado del calor y de bordes afilados. Siempre desconecte el cable de extensión del receptáculo antes de desconectar el producto del cable de extensión.

ADVERTENCIA: Para reducir el riesgo de electrocución, mantenga todas las conexiones secas y alejadas del suelo. No toque la clavija con las manos húmedas.

Para evitar la posibilidad de que el enchufe del producto o el tomacorriente se mojen, el operador debe disponer un "lazo de goteo" en el cable que conecta el producto con el tomacorriente. El "lazo de goteo" es la parte del cable que está por debajo del nivel del tomacorriente, o del conector en el caso de usar un cable de extensión, y que evita que el agua se desplace a lo largo del cable y entre en contacto con el tomacorriente.

REGLAS DE SEGURIDAD ESPECÍFICAS




- **Sea precavido cuando posicione la lavadora de presión para usarla.** El aire tibio que sale del motor podría causar áreas puntuales descoloridas en el césped.
- **Familiarícese con la producto.** Lea cuidadosamente el manual del operador. Aprenda los usos y limitaciones de la máquina, así como los posibles peligros específicos de este producto.
- **Para reducir el riesgo de lesiones,** mantenga a alejados a niños y demás circunstantes. Todos los presentes deben llevar puestos anteojos de seguridad y permanecer a una distancia segura del área de trabajo.
- **Use la producto adecuada a la tarea.** No fuerce la producto ni ningún accesorio a efectuar tareas para las que no están hechos. No la use para propósitos no indicados en las instrucciones.
- **Vístase adecuadamente.** Use pantalones largos y mangas largas. No vista ropas, corbatas o joyas holgadas. Pueden resultar atrapadas y tirar de usted hacia piezas en movimiento. Se recomiendan guantes y calzado antiderrapantes al trabajar al aire libre. Si tiene el pelo largo cúbrase de alguna manera para contenerlo.
- **No accione el equipo cuando esté descalzo o al llevar puestas sandalias o calzado liviano similar.** Use calzado de seguridad que le proteja sus pies y mejore su postura en superficies resbaladizas.
- **Tenga suma precaución para evitar resbalarse o caer.**
- **Siempre póngase protección ocular con protección lateral con la marca de cumplimiento de la norma ANSI Z87.1.** Con el cumplimiento de esta regla se reduce el riesgo de lesiones corporales serias.
- **Utilice sólo accesorios recomendados.** El empleo de accesorios inadecuados puede presentar riesgos de lesiones.
- **Inspeccione las piezas dañadas.** Antes de seguir utilizando la producto, es necesario inspeccionar cuidadosamente toda protección o pieza dañada para determinar si funcionará correctamente y desempeñará la función a la que está destinada. Verifique la alineación de las partes móviles, que no haya atoramiento de las mismas, que no haya piezas rotas, el montaje de las piezas y cualquier otra condición que pudiera afectar su funcionamiento. Toda protección o pieza que esté dañada debe repararse apropiadamente o reemplazarse en un centro de servicio autorizado.
- **Nunca deje desatendida ninguna producto en funcionamiento. Apague la producto.** No se aleje de la producto hasta no verla completamente detenida.
- **Conserve el motor limpio de césped, hojas o grasa** a fin de reducir el riesgo de incendio.
- **Siga las recomendaciones del fabricante para lograr la carga, descarga, transporte y almacenamiento seguros de la máquina.**
- **Mantenga la producto seca, limpia y libre de aceite y grasa.** Siempre utilice un paño limpio para la limpieza de la unidad. Nunca utilice fluidos para frenos, gasolina, productos a base de petróleo ni solventes para limpiar la producto.
- **Revise el área de trabajo cada vez antes de utilizar este producto.** Retire todos los objetos como piedras, vidrio roto, clavos, alambre o cuerda que puedan salir disparados o enredarse en la máquina.
- **No utilice la producto si el interruptor no apaga.** Lleve todo interruptor a un centro de servicio autorizado para que lo reparen.
- **Evite tener un entorno de trabajo peligroso.** No exponga a la lluvia. Mantenga bien iluminada el área de trabajo.
- **No maltrate el cordón.** Nunca utilice el cordón para trasladar ni para sacar la clavija de una toma. Mantenga el cordón alejado del calor, del aceite de bordes afilados y de piezas móviles. Cambie de inmediato todo cordón dañado. Los cordones dañados aumentan el riesgo de descargas eléctricas.
- **Los circuitos o las tomas donde se conecta esta producto deben estar protegidos con un interruptor de circuito accionado por falla de conexión a tierra (GFCI).** Hay receptáculos con la protección de un GFCI integrado, y pueden utilizarse para contar con esta característica de seguridad.
- **No se recomienda usar esta lavadora de presión con un cable de extensión. Si debe usar un cable de extensión, asegúrese de que está en buenas condiciones.** Al utilizar un cordón de extensión, utilice uno del suficiente calibre para soportar la corriente que consume el producto. Se recomienda que los conductores sean de calibre **12** (A.W.G.) por lo menos, para un cordón de extensión de 7,6 metros (25 pies) de largo o menos. Si tiene dudas, utilice un cordón del calibre más grueso siguiente. Cuanto menor es el número de calibre, mayor es el grueso del cordón. Un cordón de un calibre insuficiente causa una caída en el voltaje de línea, y produce recalentamiento y pérdida de potencia.
- **ADVERTENCIA:** Use cordones de extensión para exteriores que lleven las marcas SW-A, SOW-A, STW-A, STOW-A, SJW-A, SJTW-A o SJTOWA. Estos cordones están aprobados para el uso en el exterior y reducen el riesgo de descargas eléctricas.
- **Inspeccione periódicamente los cordones de extensión y reemplácelos si están dañados.** Mantenga los mangos secos, limpios y sin aceite ni grasa.
- **Nunca dirija un chorro de agua en dirección de personas o animales, ni hacia dispositivos eléctricos.**
- **Antes de iniciar cualquier operación de limpieza,** cierre puertas y ventanas. Despeje el área a limpiar y elimine cualesquier desechos, juguetes, muebles de patio u otros objetos que pudiesen crear un peligro.

REGLAS DE SEGURIDAD ESPECÍFICAS










- **No use soluciones ácidas, alcalinas, solventes, materiales inflamables o de grado industrial** en este producto. Estos productos pueden causar lesiones físicas al operador y daños irreparables a la máquina.
- **ADVERTENCIA: Los chorros de alta presión pueden ser peligrosos si se utilizan indebidamente.** Nunca dirija el chorro a personas, animales, dispositivos eléctricos ni a la máquina misma.
- **Mantenga alejado el motor de materiales inflamables y de otros materiales peligrosos.**
- **Antes de cada uso, inspeccione los pernos y las tuercas** para verificar que están apretados. Una tuerca o perno sueltos pueden causar problemas graves en el motor.
- **Antes de guardar la unidad deje que se enfríe el motor.**
- **Al dar servicio a la unidad, sólo utilice piezas de repuesto idénticas.** El empleo de piezas diferentes puede causar un peligro o dañar el producto.
- Use **SOLAMENTE** agua fría.
- **Nunca alce ni transporte una máquina mientras se encuentre en marcha.**
- **Nunca arranque la máquina** si se ha formado hielo en cualquier parte del equipo.
- **Asegúrese de que haya una distancia mínima de 914 mm (tres pies) de todo material combustible.**
- **Nunca rocíe agua a la superficie** para ser limpiado como usted puede dañar la superficie.
- **Luego de detener el motor, siempre presione el gatillo ubicado en el mango del gatillo para aliviar la presión acumulada en la manguera de alta presión.** La inobservancia de esta advertencia puede causar lesiones personales graves.
- **Asegúrese de que la manguera de alta presión esté conectada adecuadamente antes de usar el producto.**
- **Conecte la lavadora de presión a un subcircuito individual.**
- **Sujete y sostenga firmemente con ambas manos el mango.** Al tirar del gatillo, puede que el mango de gatillo se mueva debido a fuerzas de reacción. La inobservancia de esta advertencia puede ocasionar la pérdida de control y lesiones personales y a otros.
- **Para usarse sólo en el exterior.**
- **Guarde estas instrucciones.** Consúltelas frecuentemente y utilícelas para instruir a otros usuarios. Si presta a alguien esta producto, facilítele también las instrucciones.

SÍMBOLOS

Las siguientes palabras de señalización y sus significados tienen el objeto de explicar los niveles de riesgo relacionados con este producto.

SÍMBOLO	SEÑAL	SIGNIFICADO
	PELIGRO:	Indica una situación peligrosa, la cual, si no se evita, causará lesiones graves o mortales.
	ADVERTENCIA:	Indica una situación peligrosa, la cual, si no se evita, podría causar lesiones graves o mortales.
	PRECAUCIÓN:	Indica una situación peligrosa, la cual, si no se evita, podría causar lesiones menores o leves.
	AVISO:	(Sin el símbolo de alerta de seguridad) Indica la información que se considera importante, pero no relacionada con lesiones potenciales (por ej. en relación a daños a la propiedad).

Es posible que se empleen en esta herramienta algunos de los siguientes símbolos. Le suplicamos estudiarlos y aprender su significado. Una correcta interpretación de estos símbolos le permitirá utilizar mejor y de manera más segura la herramienta.

SÍMBOLO	NOMBRE	DENOMINACIÓN/EXPLICACIÓN
	Alerta de seguridad	Indica un peligro posible de lesiones personales
	Lea manual del operador	Para reducir el riesgo de lesiones, el usuario debe leer y comprender el manual del operador antes de usar este producto.
	Protección ocular	Siempre póngase protección ocular con protección lateral con la marca de cumplimiento de la norma ANSI Z87.1.
	Alerta: Condiciones húmedas	No exponga la unidad a la lluvia ni la use en lugares húmedos, y nunca dirija un chorro de agua en dirección hacia dispositivos eléctricos.
	Riesgo de inyecciones	Para reducir el riesgo de una inyección o lesión, nunca dirija un chorro de agua hacia personas o mascotas ni ponga ninguna parte del cuerpo en el chorro. Las fugas presentes en mangueras y acopladores también pueden causar lesiones por inyección. No sujete ninguna manguera ni acoplador.
	Riesgo de explosión	No pulverice líquidos inflamables. Líquidos inflamables, el combustible y sus vapores del mismo son explosivos y pueden causar quemaduras graves e incluso la muerte.
	Contragolpe	Para reducir el riesgo de lesiones por un contragolpe, sujete firmemente el tubo rociador con ambas manos cuando esté encendida la máquina.
	Descarga eléctrica	No use la cortadora cerca de líneas de alimentación o tomas eléctricas.
	Quemaduras químicas	Para reducir el riesgo de lesiones o daños físicos, NO USE SOLUCIONES ÁCIDAS, ALCALINAS, BLANQUEADORES, SOLVENTES, MATERIALES INFLAMABLES O DE GRADO INDUSTRIAL en este producto.

SÍMBOLOS

Es posible que se empleen en esta herramienta algunos de los siguientes símbolos. Le suplicamos estudiarlos y aprender su significado. Una correcta interpretación de estos símbolos le permitirá utilizar mejor y de manera más segura la herramienta.

SÍMBOLO	NOMBRE	DENOMINACIÓN/EXPLICACIÓN
V	Voltios	Voltaje
A	Amperios	Corriente
Hz	Hertz	Frecuencia (ciclos por segundo)
W	Watts	Potencia
~	Corriente alterna	Tipo de corriente
n_0	Velocidad en vacío	Velocidad de rotación, en vacío
.../min	Por minuto	Revoluciones, carreras, velocidad superficial, órbitas, etc., por minuto

ASPECTOS ELÉCTRICOS

CORDONES DE EXTENSIÓN

Al utilizar una herramienta eléctrica a una distancia considerable de la fuente de corriente, asegúrese de utilizar un cordón de extensión con la suficiente capacidad para soportar la corriente de consumo del producto. Un cordón de un calibre insuficiente causa una caída en el voltaje de línea, lo cual puede causar **recalentamiento, pérdida de potencia y/o activación de los disyuntores o el GFCI**. Básese en la tabla suministrada para determinar el grueso mínimo requerido del cordón de extensión. Solamente deben utilizarse cordones con forro redondo registrados en Underwriter's Laboratories (UL).

Al trabajar a la intemperie con un producto, utilice un cordón de extensión fabricado para uso en el exterior. Este tipo de cordón lleva las letras "WA" o "W" en el forro.

Antes de utilizar un cordón de extensión, inspecciónelo para ver si tiene conductores flojos o expuestos y aislamiento cortado o gastado.

Se puede hacer un nudo para atar el cordón de extensión y el cordón eléctrico para impedir que se desconecten durante el uso. Ate el nudo luego conecte el extremo de la clavija del cordón eléctrico en el extremo del receptáculo del cordón de extensión. Este método también se puede usar para atar dos cordones de extensión.

NOTA: No se recomienda usar esta lavadora de presión con un cable de extensión. Si está utilizando un prolongador, disponga un lazo de goteo para evitar la posibilidad de que se moje el enchufe de la herramienta (vea la página 2).

USE ÚNICAMENTE UN CORDÓN DE EXTENSIÓN DE ESTOS TAMAÑOS AL UTILIZAR ESTE PRODUCTO:

Longitud del cordón	Calibre conductores (A.W.G.)
7,6 m (25 pies)	12
15,2 m (50 pies)	No se permite

NOTA: A.W.G. = Calibre conductores norma americana



ADVERTENCIA:

Mantenga el cordón de extensión fuera del área de trabajo. Al trabajar con una herramienta eléctrica, coloque el cordón de tal manera que no pueda enredarse en la madera, herramientas o ninguna obstrucción. La inobservancia de esta advertencia puede causar lesiones corporales serias.

ASPECTOS ELÉCTRICOS

ADVERTENCIA:

Inspeccione los cordones de extensión antes de cada uso. Si están dañados reemplácelos de inmediato. Nunca utilice el producto con un cordón dañado, ya que si toca la parte dañada puede producirse una descarga eléctrica, y las consecuentes lesiones serias.

CONEXIÓN ELÉCTRICA

Este producto dispone de un motor eléctrico fabricado con precisión. Debe conectarse únicamente a un suministro de voltaje que tenga capacidad de 120 V/60 Hz CA (típico circuito hogareño de EE. UU.). No utilice este producto con corriente continua (corr. cont.). Una caída considerable de voltaje causa una pérdida de potencia y el recalentamiento del motor. Si el producto no funciona al conectarlo en una toma, vuelva a verificar el suministro de corriente.

INSTRUCCIONES DE CONEXIÓN A TIERRA

Este producto debe conectarse a tierra. En caso de un mal funcionamiento o desperfecto, la conexión a tierra brinda a la corriente eléctrica una trayectoria de mínima resistencia para disminuir el riesgo de una descarga eléctrica. Esta herramienta está equipada de un cordón eléctrico con un conductor y una clavija de conexión a tierra para equipo. La clavija debe conectarse en una toma de corriente igual que esté instalada y conectada a tierra correctamente, de conformidad con los códigos y reglamentos de la localidad.

No modifique la clavija suministrada. Si no entra en la toma de corriente, llame a un electricista calificado para que instale una toma de corriente adecuada.

ADVERTENCIA:

Si se conecta de forma incorrecta el conductor de conexión a tierra del equipo puede presentarse un riesgo de descarga eléctrica. Un centro de servicio autorizado deben cambiar el cordón de corriente, en caso de que sea necesario, para evitar peligros.

Consulte a un electricista calificado o técnico de servicio si no ha comprendido completamente las instrucciones de conexión a tierra o si no está seguro si la herramienta está bien conectada a tierra.

Repáre o reemplace de inmediato todo cordón dañado o gastado.

Este producto se debe usar con un circuito de 120 V nominales y tiene una clavija de conexión a tierra similar a la clavija que se muestra en la figura 2. Conecte el producto únicamente a una toma de corriente que tenga la misma configuración que la clavija. No use un adaptador con este producto.

INTERRUPTOR DE CIRCUITO ACCIONADO POR FALLA DE CONEXIÓN A TIERRA

Vea la figura 2.

Esta unidad se equipa de un interruptor del circuito accionado por falla de conexión a tierra (GFCI), el cual protege contra los peligros de las corrientes desarrolladas al presentarse tal falla. Un ejemplo de una corriente debida a una falla de conexión a tierra es la que fluiría a través de una persona que está utilizando un aparato con aislamiento defectuoso, y al mismo tiempo está en contacto con una tierra eléctrica como una parte de la plomería, suelo húmedo o tierra.

Las clavijas protegidos con GFCIs no protegen contra cortos circuitos, sobrecargas ni descargas eléctricas.

NOTA: Para asegurarse de que está listo para el uso, presione el botón de reajuste cada vez que conecte la lavadora de presión al suministro de corriente.

Las clavijas con GFCIs pueden probarse con los botones TEST [PRUEBA] y RESET [REAJUSTE].

Para efectuar una prueba:

- Oprima el botón TEST. Escuchará un clic y el diodo luminiscente se apagará
- Para restablecer la corriente, oprima el botón RESET. El diodo luminiscente se encenderá indicando que se ha restablecido la corriente.

Realice mensualmente esta prueba para asegurarse del buen funcionamiento del GFCI.

- **Para reducir el riesgo de descarga eléctrica, el circuito de inspección se debe operar antes de que se enchufe un artefacto en el dispositivo.**

CARACTERÍSTICAS

ESPECIFICACIONES DEL PRODUCTO

Presión máxima*	2 200 psi
Flujo máximo	4,5 LPM (1,2 GPM)
Corriente de entrada	120 V, sólo corr. alt., 60 Hz, 13 A

*Máximo que valora determinado por el estándar de PWMA 101

FAMILIARÍCESE CON LA LAVADORA DE PRESIÓN

Vea la figura 3.

Para usar este producto con la debida seguridad se debe comprender la información indicada en la producto misma y en este manual, y se debe comprender también el trabajo que intenta realizar. Antes de usar este producto, familiarícese con todas las características de funcionamiento y normas de seguridad del mismo.

SISTEMA AUTOMÁTICO DE INYECCIÓN DE JABÓN

Vierta detergente para lavadoras a presión en el tanque de jabón para aplicar detergente rápida y fácilmente en su trabajo de limpieza. El uso de la boquilla para jabón activará el inyector de jabón con una razón de dilución de 20:1.

CLAVIJA GFCI

La lavadora de presión está equipada con una clavija GFCI como protección contra los riesgos de las redes eléctricas con fallas de conexión a tierra. Esta clavija no protege contra los cortocircuitos, las sobrecargas ni las descargas eléctricas.

INTERRUPTOR DE ENCENDIDO/APAGADO

Con este interruptor se enciende y apaga la lavadora.

SOPORTE PARA ALMACENAMIENTO DEL CORDÓN ELÉCTRICO

Guarde el cordón eléctrico en los soportes para almacenamiento cuando no use la lavadora de presión. Asegúrelo y libérela fácilmente con el cordón elástico adjunto.

MANGO DEL GATILLO

El mango del gatillo dispone de una superficie de sujeción ranurada la cual proporciona control adicional de dicho tubo y reduce la fatiga del operador.

GATILLO CON SEGURO

Al tirar del gatillo sale un chorro de agua para limpiar con alta presión. El seguro ofrece protección contra todo uso no autorizado.

ARMADO

DESEMPAQUETADO

Este producto requiere armarse.

- Corte cuidadosamente los lados de la caja y después retire la producto y cualesquier accesorios de la caja. Asegúrese de que estén presentes todos los artículos enumerados en la lista de empaquetado.

ADVERTENCIA:

No utilice este producto si alguna pieza incluida en la lista de empaquetado ya está ensamblada al producto cuando lo desempaqueta. El fabricante no ensambla las piezas de esta lista en el producto. Éstas deben ser instaladas por el usuario. El uso de un producto que puede haber sido ensamblado de forma inadecuada podría causar lesiones personales graves.

- Inspeccione cuidadosamente la producto para asegurarse de que no haya sufrido ninguna rotura o daño durante el transporte.

- No deseche el material de empaquetado hasta que haya inspeccionado cuidadosamente la producto y la haya utilizado satisfactoriamente.
- Si hay piezas dañadas o faltantes, le suplicamos llamar al 1-877-617-3501, donde le brindaremos asistencia.

LISTA DE EMPAQUETADO

Lavadora de presión eléctrica
Mango
Mango del gatillo
Tubo rociador
Soporte de almacenamiento de las boquillas
Sujetadore del mango del gatillo
Tornillos Phillip (3)
Manguera de alta presión de 7,6 m (25 pies)
Ruedas (2)
Ejes (2)
Pasadors del enganche (2)
Boquillas (15°, turbo, jabón)
Manual del operador

ARMADO

ADVERTENCIA:

Si hay piezas dañadas o faltantes, no utilice este producto sin haber reemplazado todas las piezas. Usar este producto con partes dañadas o faltantes puede causar lesiones serias al operador.

ADVERTENCIA:

No intente modificar este producto ni hacer accesorios no recomendados para la misma. Cualquier alteración o modificación constituye maltrato, el cual puede causar una condición peligrosa, y como consecuencia posibles lesiones serias.

ADVERTENCIA:

No conecte la unidad al suministro de corriente sin haber terminado de armarla. De lo contrario la unidad puede ponerse en marcha accidentalmente, con el consiguiente riesgo de lesiones serias.

HERRAMIENTAS NECESARIAS

Vea la figura 4.

Para armar la unidad se necesitan la siguiente herramienta (no incluido o dibujado para escalar):

- Destornillador Phillips

INSTALACIÓN DE LAS RUEDAS

Vea la figura 5.

- Localice el eje, los pasadores de enganche y las ruedas.
- Pase el eje a través del agujero situado en el centro de la rueda.
- Levante la máquina e introduzca el conjunto del eje en el agujero de montaje de la rueda situado en la base de la máquina.
- Empuje el pasador de enganche hacia adentro del agujero del extremo del eje para asegurar el conjunto de las ruedas.

NOTA: Debe introducirse el pasador de enganche en el eje hasta que el centro de aquél descansa en la parte superior de éste.

- Repita el proceso con la segunda rueda.

INSTALACIÓN DEL MANGO Y EL SOPORTE DE ALMACENAMIENTO DE LAS BOQUILLAS

Vea las figuras 6 y 7.

Instalación del mango:

PRECAUCIÓN:

Sea precavido cuando instale el mango en el bastidor: evite pellizcarse los dedos o las manos.

Presione y sostenga el botón de seguridad en el armazón a medida que desliza el mango sobre el armazón.

NOTA: Tire del mango hacia arriba hasta que el botón de aseguramiento pase a través de la ranuras correspondiente y asegure el mango en su lugar.

Instalación el soporte de almacenamiento de las boquillas:

- Alinee el soporte de almacenamiento de las boquillas con los orificios del mango, tal como se muestra en la figura.
- Instale los tornillos y ajústelo firmemente con la tuerca de seguridad.

INSTALACIÓN DEL SUJETADORE DEL MANGO DEL GATILLO

Vea la figura 8.

- Alinee el sujetadore del mango del gatillo con el orificio del mango, tal como se muestra.
- Instale el tornillo y apriételo firmemente.

ENSAMBLAJE DEL TUBO ROCIADOR CON EL MANGO DEL GATILLO

Vea la figura 9.

- Coloque el extremo del tubo rociador en el conector del extremo del mango del gatillo.
- Gire el conector hasta que se detenga para asegurar en su lugar el tubo de rociado.

CÓMO CONECTAR LA MANGUERA DE ALTA PRESIÓN AL MANGO DEL GATILLO

Vea la figura 10.

- Enrosque el casquillo de la manguera de alta presión en el acoplador de entrada del mango del gatillo; para ello, gire a la derecha el casquillo de la manguera. Apriete firmemente.

NOTA: Tenga cuidado de no trasroscar la rosca, ya que esto podría provocar que el mango del gatillo pierda durante su uso.

- Tire de la manguera para asegurarse de que esté debidamente asegurada.

CÓMO CONECTAR LA MANGUERA DE ALTA PRESIÓN A LA BOMBA

Vea la figura 11.

- Desenrolle y enderece completamente la manguera de alta presión para evitar la formación de acodaduras.

NOTA: Vea **Uso de la manguera de alta presión** en la sección *Funcionamiento* para obtener más información sobre el uso de la manguera de alta presión.

- Alinee el casquillo con la conexión roscada de la bomba.
- Coloque la manguera de alta presión en la conexión roscada.
- Gire a la derecha el casquillo y fije firmemente la manguera a la bomba.

ARMADO

NOTA: Tenga cuidado de no trasroscar la rosca, ya que esto podría provocar que la manguera pierda durante su uso.

- Tire de la manguera para asegurarse de que esté debidamente asegurada.

CÓMO CONECTAR UNA MANGUERA A LA LAVADORA DE PRESIÓN

Vea la figura 12.

AVISO:

Siempre observe las normas locales cuando conecte las mangueras a la tubería principal de agua. En algunas áreas existen restricciones para la conexión directa al suministro público de agua potable a fin de evitar la retroalimentación de químicos al suministro de agua potable. La conexión directa a través de un tanque receptor o de una válvula contra reflujo suele estar permitida.

El suministro de agua debe venir de la tubería principal de agua. **NUNCA** use agua caliente o agua de piscinas, lagos, etc. Antes de conectar una manguera de jardín a la lavadora de presión:

- Deje correr agua por la manguera durante 30 segundos para limpiar toda la basura que pueda haber en el interior de la misma.

- Inspeccione el cedazo de la entrada de agua.
- Si está dañado el cedazo, no utilice la máquina sino hasta haber reemplazado aquél.
- Si está sucio el cedazo, límpielo antes de conectar la manguera de jardín a la máquina.

Para conectar una manguera de jardín a la máquina:

- Desenrolle completamente la manguera de jardín o quítela completamente del carrete para evitar la formación de acodaduras.

NOTA: Debe haber un mínimo de 3 metros (10 pies) de manguera sin ninguna restricción en el flujo de la misma, entre la entrada de la lavadora de presión y el grifo o válvula de cierre (como un conector de cierre en “Y”).

- Teniendo el grifo de la manguera completamente cerrado, conecte el extremo de la manguera de jardín a la entrada de agua. Efectúe el apriete con la mano.

AVISO:

No accione la lavadora de presión sin que el suministro de agua esté conectado y abierto; de lo contrario, se pueden dañar los sellos de alta presión y se puede acortar la vida útil de la bomba. Desenrolle la manguera de su riel o bobina por completo y asegúrese de que ninguna rueda, piedra o cualquier otro objeto no pise la manguera, ya que puede disminuir o impedir el paso del agua a la lavadora de presión.

FUNCIONAMIENTO

ADVERTENCIA:

No permita que su familiarización con las producto lo vuelva descuidado. Tenga presente que un descuido de un instante es suficiente para causar una lesión grave.

ADVERTENCIA:

Siempre póngase protección ocular con protección lateral con la marca de cumplimiento de la norma ANSI Z87.1. La inobservancia de esta advertencia puede permitir que los objetos lanzados hacia los ojos puedan provocar lesiones graves.

ADVERTENCIA:

No utilice ningún aditamento o accesorio no recomendado por el fabricante de este producto. El empleo de aditamentos o accesorios no recomendados podría causar lesiones serias.

ADVERTENCIA:

Nunca dirija un chorro de agua en dirección de personas o animales, ni hacia dispositivos eléctricos. La inobservancia de esta advertencia podría causar lesiones serias, una descarga eléctrica e incluso la muerte.

AVISO:

Antes de cada uso, inspeccione todo el producto para detectar partes dañadas, faltantes o sueltas, como tornillos, tuercas, pernos, tapas, etc. Apriete firmemente todos los sujetadores y las tapas y no accione este producto hasta que todas las partes faltantes o dañadas sean reemplazadas. Llame con el servicio al cliente o contacto con un centro de servicio autorizado para recibir asistencia.

FUNCIONAMIENTO

USOS

Puede usar esta herramienta en la casa para limpiar la mayoría de las superficies exteriores horizontales o verticales grandes o pequeñas, las estructuras y objetos exteriores pequeños y las herramientas y equipos para uso al aire libre.* Puede:

- Limpiar o quitar moho y hongos de terrazas, caminos de entrada, patios, caminos, aceras y otras superficies desgastadas.
- Quitar la suciedad de diversas superficies exteriores verticales tales como exteriores de casas, revestimientos de muros exteriores, cercas, paredes de ladrillo, hormigón o piedra, etc.
- Limpiar botes, muebles de patio, equipos de jardinería eléctricos o no, canalones, paneles de ventanas, parrillas, juegos para niños, etc.

**Siempre pruebe primero en un área poco notoria.*

ENCENDIDO Y APAGADO DE LA LAVADORA DE PRESIÓN

Vea la figura 13.

AVISO:

No encienda la lavadora a presión si no hay un suministro de agua conectado y encendido, dado que esto podría dañar los sellos de alta presión y disminuir la vida útil de la bomba. Desenrolle la manguera por completo de su carrete o bobina y asegúrese de que la manguera no esté restringida por neumáticos, rocas, ni ningún otro objeto que pueda disminuir o bloquear el flujo de agua hacia la lavadora a presión.

Antes de arrancar el motor:

- Conecte la manguera de jardín.

NOTA: Asegúrese de que el filtro para la entrada de agua de la lavadora a presión esté en su lugar y sin obstrucciones antes de conectarla.

- Abra el suministro de la manguera de jardín y presione el gatillo de presión alta para liberar la presión del aire. Cuando salga un chorro constante de agua, suelte el gatillo.

NOTA: Asegúrese de que el grifo esté abierto completamente y de que no haya acodaduras o pérdidas en la manguera.

Para arrancar el motor:

- Con el interruptor de encendido/apagado en la posición **OFF** (APAGADO), conecte la lavadora de presión al suministro de corriente.

NOTA: Si está utilizando un prolongador, asegúrese de disponer un lazo de goteo según se describe en la página 2.



ADVERTENCIA:

Para reducir el riesgo de electrocución, mantenga todas las conexiones secas y lejos del suelo. No toque la clavija con las manos húmedas.

- Presione el botón de reajuste en la clavija de la lavadora de presión para asegurarse de que la unidad está lista para ser accionada.
- Coloque el interruptor de encendido/apagado en la posición de **ON** (ENCENDIDO) para arrancar el motor.

AVISO:

Realice inspecciones visuales de la bomba y del motor en forma rutinaria durante su uso. Si nota que existen pérdidas en las juntas de la bomba o del motor, deje de usar la lavadora de presión inmediatamente y que llévelo a un centro de servicio calificado para su reparación. La inobservancia de esta advertencia puede causar daños a la propiedad.

Para apagar el motor:

- Ponga el interruptor de encendido/apagado en la posición **OFF** (APAGADO).
- Oprima el gatillo para purgar el agua a presión.

NOTA: La lavadora de presión puede estar encendida y el sistema puede tener presión aun cuando no se escuche que la bomba y el motor están funcionando. Siempre tenga precaución al estar cerca de la lavadora de presión.

USO DEL MANGO DEL GATILLO

Vea la figura 14.



ADVERTENCIA:

Sujete el mango firmemente con ambas manos. Se espera que el mango del gatillo se mueva cuando se tire del gatillo como consecuencia de las fuerzas de reacción. La inobservancia de esta advertencia podría causar pérdida de control y lesiones a usted y a otras personas.

- Para iniciar el chorro de agua, oprima y no suelte el gatillo.
- Para interrumpir el flujo del chorro de agua por la boquilla, suelte el gatillo.

Para accionar el seguro:

- Suba el seguro hasta dejarlo trabado en la ranura.

Para quitar el seguro:

- Baje el seguro a su posición original.

Comience con la boquilla a una distancia de entre 30 y 60 cm (1 y 2 pies) de la superficie a limpiar y acérquese a la superficie justo lo suficiente para alcanzar el nivel de limpieza deseado. Si está demasiado cerca el chorro, puede dañar la superficie que está limpiándose.

FUNCIONAMIENTO

SELECCIÓN DE LA BOQUILLA CORRECTA DE CONEXIÓN RÁPIDA PARA CADA TRABAJO

Vea la figura 15.

Cada una de las boquillas tiene un patrón de rociado diferente. Antes de empezar cualquier trabajo de limpieza, determine cuál es la mejor boquilla para el trabajo. Vea la **Guía de selección de boquillas** para obtener más información sobre qué boquilla utilizar.

⚠ ADVERTENCIA:

NUNCA quite las boquillas sin antes apagar el motor, desconecte del suministro de corriente, libere la presión de agua con el gatillo y coloque la traba del gatillo. NUNCA apunte con la boquilla a su rostro o al de otras personas. El elemento de conexión rápida contiene pequeños resortes que podrían eyectar la boquilla con fuerza. La inobservancia de estas instrucciones podría provocar lesiones en los ojos y otras lesiones personales graves.

Para conectar una boquilla al tubo rociador:

- Apague la lavadora de presión, desconecte del suministro de corriente, y cierre el suministro de agua. **Oprima el gatillo para purgar el agua.**

- Accione el seguro del mango de gatillo; para ello, suba aquél hasta que se trabe en la ranura.
- Tire del collar de conexión rápida.
- Introduzca la boquilla en su lugar en el tubo rociador.
- Empuje el collar adelante para que la boquilla quede correctamente asegurada. Asegúrese de que la boquilla esté asegurada.

Para desconectar la boquilla del tubo rociador una vez finalizado el trabajo de limpieza:

- Apague la lavadora de presión, desconecte del suministro de corriente, y cierre el suministro de agua. **Oprima el gatillo para purgar el agua.**
- Accione el seguro del mango de gatillo; para ello, suba aquél hasta que se trabe en la ranura.
- Tire y sostenga el collar de conexión rápida.
- Quite la boquilla tirando hacia atrás del collar de conexión rápida. Coloque la boquilla en el lugar donde se guardan éstas, en la parte superior de la máquina.

GUÍA DE SELECCIÓN DE BOQUILLAS

BOQUILLA DE TURBO 15° JABÓN 	ALTA PRESIÓN (NO USE ESTAS BOQUILLAS CON JABÓN)		BAJA PRESIÓN (PARA JABÓN O ENJUAGUES LEVES)
	ABRASIVO ————— LEVE Boquilla de turbo	 15°	 Boquilla azul o negro para jabón
Cemento, ladrillo, mampostería	✓	✓	✓
Revestimiento de muros exteriores, canalones, casas		✓	✓
Cercas, terrazas, patios		✓	✓
Equipos de jardinería, botes, casas rodantes		✓	✓
✓ Boquilla recomendada ✓ Usar con cuidado en ciertas aplicaciones			

FUNCIONAMIENTO

USO DE LA MANGUERA DE ALTA PRESIÓN

ADVERTENCIA:

Daño por inyecciones. Desenrolle por completo la manguera de alta presión y enderézela antes de usarla y durante el uso y no permita que se retuerza. La manguera de alta presión tiene una cubierta exterior que hace resistente a la manguera. Si la cubierta exterior está dañada, deje de usar la manguera y remplácela inmediatamente. Una manguera retorcido o dañada puede tener una fuga de alta presión que puede provocar una inyección u otras lesiones personales graves.

Para evitar que el revestimiento externo se dañe:

- Inspeccione la manguera antes de cada uso.
- Desenrosque y estire la manguera antes de usarla.
- Evite que la manguera de alta presión se retuerza.
- Mantenga la manguera alejada de superficies calientes y bordes filosos.
- No arrastre la unidad cerca de la manguera de alta presión.
- Evite que otros objetos aplasten la manguera o que ésta se enrede con otros objetos.

LAVADO CON JABÓN

Vea las figura 16 y 17.

Tal como se vende, esta unidad está diseñada para usarse con detergentes para lavadoras a presión de “flujo descendente”. Para convertir la lavadora de modo que se pueda utilizar con detergentes de “flujo ascendente”, comuníquese con servicio de atención al cliente o un centro de servicio autorizado, para obtener más información.

AVISO:

USE SÓLO DETERGENTES DISEÑADOS PARA LAVADORAS DE PRESIÓN. No utilice los detergentes caseros, soluciones ácidas, alcalinas, blanqueadores, solventes, materiales inflamables o de grado industrial pueden dañar la bomba o a la propiedad. Numerosos detergentes requieren mezclarse antes de usarse. Prepare la solución de limpieza de conformidad con las instrucciones de la botella correspondiente. Siempre pruebe en un área poco notoria antes de comenzar la limpieza.

- Desconecte la lavadora de presión del suministro de corriente.
- Agregue el jabón en el tanque. De ser necesario, use un embudo para evitar pérdidas de detergente fuera del tanque. Si se producen pérdidas de detergente durante el proceso de llenado, asegúrese de limpiar y secar la unidad antes de proceder.

NOTA: La configuración de la máquina de esta unidad es 20:1, lo que generalmente permite el uso de 3,79 l

(1 galón) de detergente para lavadoras de presión sin más dilución. Consulte las instrucciones de su detergente para asegurarse de que no sea necesario realizar una dilución adicional.

- Instale la boquilla azul o negro para jabón del tubo rociador.
- Conecte la unidad al suministro de alimentación y encienda la lavadora de presión.
- Oprima el gatillo y espere aproximadamente 5 segundos a que comience a salir detergente.
- Rocíe el detergente en una superficie seca, con pasadas largas uniformes traslapadas. Para evitar la formación de franjas, no permita que seque el detergente en la superficie.

Antes de apagar el motor:

- Llene el tanque de jabón con agua limpia.
- Rocíe el agua limpia a través del tubo rociador hasta vaciar el tanque.
- Si queda detergente en el rociador, repita el proceso con un segundo tanque de agua limpia.
- Apague el motor.

NOTA: La presión del sistema no se aliviará apagando el motor. **Oprima el gatillo para purgar el agua a presión.**

ENJUAGADO CON LA LAVADORA DE PRESIÓN

- Apague la lavadora de presión y cierre el suministro de agua. **Oprima el gatillo para purgar el agua.**
- Accione el seguro el mango de gatillo; para ello, suba aquél hasta que se traben en la ranura.
- Retire la boquilla de jabón y coloque la boquilla en el lugar donde se guardan éstas.
- Siempre utilice la boquilla adecuada a la tarea. Para seleccionar la boquilla adecuada, consulte la tabla más arriba en este manual.
- Comience por la parte superior por enjuagar y avance hacia abajo, traslapando cada pasada.

USO DEL PROTECTOR DE BOMBA

Vea la figura 18.

El uso regular del protector para bombas comercialmente disponible prolonga la vida de la lavadora de presión, dado que elimina los sedimentos minerales del agua dura, lubrica las juntas y los pistones de la bomba y evita los daños por congelación. El protector de bomba debe agregarse a la unidad después de cada uso y antes de almacenarla. Este protector puede comprarse en el minorista donde compró la lavadora de presión o comunicándose con el servicio de atención al cliente. Este protector de bomba puede comprarse en el minorista donde compró la lavadora de presión o comunicándose con el servicio de atención al cliente.

Las instrucciones siguientes son para un protector de bombas típico pero siempre siga las instrucciones del fabricante del protector de bombas que utiliza.

FUNCIONAMIENTO

- Apague el motor de la lavadora de presión y cierre el suministro de agua. **Tire del gatillo para purgar el agua.**
- Desconecte la manguera de jardín y la de alta presión.
- Desenrosque la parte superior de la botella del protector de bomba y retire el sello de papel de la botella. Vuelva a colocar la tapa en la botella y apriétela con fuerza.
NOTA: El sello de goma debe quedar dentro de la parte superior roscada. Si se sale, asegúrese de volverlo a colocar antes de colocarle la tapa.
- Retire la tapa de la botella y calce el extremo roscado de la botella bien en la entrada de agua de la bomba de la lavadora de presión.
- Apriete la botella para inyectar el contenido en la bomba.
- La bomba está protegida cuando el líquido protector sale por el orificio de descarga de la bomba.

ALMACENAMIENTO DEL CORDÓN DE CORRIENTE

Vea la figura 19.

Cuando no se use, el cable de alimentación puede enrollarse y colgarse en el gancho de almacenamiento en el mango.

Para asegurar el cable de alimentación, use el cordón elástico adjunto.

TRASLADO DE LA LAVADORA DE PRESIÓN

Vea la figura 20.

NOTA: Nunca levante ni transporte este producto usando el mango móvil, y nunca coloque la unidad en una posición diferente a la posición vertical sobre las ruedas.

- Apague la lavadora de presión. Oprima el gatillo para purgar el agua.
- Incline la máquina ligeramente hacia usted para equilibrarlo sobre las ruedas y luego lo empuja hasta la posición deseada. No incline la máquina hacia delante o hacia los lados mientras la mueve.
- NO trate de mover la unidad tirando de ninguna de las mangueras.

MANTENIMIENTO

ADVERTENCIA:

Antes de inspeccionar, limpiar o dar servicio a la máquina, apague el motor, espere a que se detengan todas las piezas en movimiento, desconecte el cable de la bujía y aléjelo de ésta. El incumplimiento de cualquiera de estas instrucciones puede causar lesiones serias.

ADVERTENCIA:

Siempre póngase protección ocular con protección lateral con protección lateral con la marca de cumplimiento de la norma ANSI Z87.1. Si no cumple esta advertencia, los objetos que salen despedidos pueden producirle lesiones serias en los ojos.

ADVERTENCIA:

Al dar servicio a la unidad, sólo utilice piezas de repuesto idénticas. El empleo de piezas diferentes podría causar un peligro o dañar el producto.

AVISO:

Inspeccione periódicamente todo el producto para detectar partes dañadas, faltantes o sueltas, como tornillos, tuercas, pernos, tapas, etc. Apriete firmemente todos los sujetadores y las tapas y no accione este producto hasta que todas las partes faltantes o dañadas sean reemplazadas. Llame con el servicio al cliente o contacto con un centro de servicio autorizado para recibir asistencia.

MANTENIMIENTO GENERAL

Evite el empleo de solventes al limpiar piezas de plástico. La mayoría de los plásticos son susceptibles a diferentes tipos de solventes comerciales y pueden resultar dañados. Utilice paños limpios para eliminar la suciedad, el polvo, el aceite, la grasa, etc.

ADVERTENCIA:

No permita en ningún momento que fluidos para frenos, gasolina, productos a base de petróleo, aceites penetrantes, etc., lleguen a tocar las piezas de plástico. Las sustancias químicas pueden dañar, debilitar o destruir el plástico, lo cual a su vez podría producir lesiones corporales serias.

MANTENIMIENTO

REEMPLAZO DEL CORDÓN DE CORRIENTE

Un centro de servicio autorizado deben cambiar el cordón de corriente, en caso de que sea necesario, para evitar peligros.

LUBRICACIÓN PARA LA BOMBA

La bomba de esta herramienta están lubricado con suficiente cantidad de aceite de alta calidad para toda la vida útil de la unidad en condiciones normales de funcionamiento. Por lo tanto, no se necesita lubricación adicional.

MANTENIMIENTO DE LA BOMBA

Realice una inspección visual diaria de la bomba. Si advierte una pérdida de lubricante alrededor de los sellos de la bomba, lleve la lavadora de presión a un centro de servicio calificado para que la repare.

La bomba de la lavadora de presión no contiene piezas que pueda reparar el usuario. Cualquier intento de realizar el mantenimiento de la bomba o de alterarla podrá dañar la lavadora de presión y anular la garantía del producto.

MANTENIMIENTO DE LAS BOQUILLAS

Vea la figura 21.

La presión excesiva de la bomba (se siente una sensación de pulsación al estar oprimiendo el gatillo) puede deberse a que la boquilla está tapada o sucia.

- Apague la lavadora de presión, desconecte del suministro de corriente, y cierre el suministro de agua. **Oprima el gatillo para purgar el agua.**
- Retire la boquilla del tubo rociador.



ADVERTENCIA:

NUNCA quite las boquillas sin antes apagar el motor, desconecte del suministro de corriente, libere la presión de agua con el gatillo y coloque la traba del gatillo. NUNCA apunte con la boquilla a su rostro o al de otras personas. El elemento de conexión rápida contiene pequeños resortes que podrían eyectar la boquilla con fuerza. La inobservancia de estas instrucciones podría provocar lesiones en los ojos y otras lesiones personales graves.

- Para liberar la boquilla de las obstrucciones de cualquier material extraño, retire los residuos con una clip de papel abierto o el agujero fino (no incluido).
- Con una manguera de jardín expulse de la boquilla toda la basura presente con un contraflujo (haciendo pasar hacia atrás agua por la boquilla, o sea del exterior hacia el interior).
- Vuelva a conectar la boquilla al tubo rociador.
- Abra el suministro de agua y arranque el motor.

GUARDADO DE LA LAVADORA DE PRESIÓN

Vea la figura 22 y 23.

NOTA: El uso regular de protector para bombas dará un mejor desempeño a la unidad y alargará la vida útil de la bomba.

Guarde la unidad en un lugar seco y cubierto, en el cual no pueda resultar dañada a la intemperie.

Es importante guardar este producto en un área protegida contra la congelación. Siempre vacíe todas las mangueras, la bomba, y el tanque de jabón antes de guardar la unidad.

- Asegúrese de que el interruptor de encendido/apagado está en la posición **OFF** (APAGADO).
- Desconecte tanto la alta presión y de baja presión conexiones de agua.
- Incline la unidad como se muestra para permitir que cualquier remanente de agua en la bomba desagote por la entrada de agua.

AVISO:

Si el lugar donde se almacena la lavadora de presión estará a temperatura por debajo de los 0 °C (32 °F), se requerirá usar un protector de bomba antes de almacenarla para evitar daños por congelación. Los daños por congelación anulará la garantía.

- Guarde la unidad y los accesorios en un área que esté protegida contra las temperaturas bajo cero. No la guarde cerca de hornos u otras fuentes de calor que pueda secar los sellos de la bomba.

SOLUCIÓN DE PROBLEMAS

PROBLEMA	CAUSA POSIBLE	SOLUCIÓN
La lavadora de presión no se enciende cuando se presiona el gatillo	<p>El cordón eléctrico no está conectado al suministro de corriente.</p> <p>El interruptor de encendido/apagado está en la posición de OFF (APAGADO).</p> <p>El GFCI está accionado.</p> <p>El disyuntor de la casa o del taller se accionó.</p> <p>Presión de agua en la manguera.</p> <p>El receptáculo tiene algún defecto.</p>	<p>Conecte el cordón eléctrico a un receptáculo alimentado con 120 V corr. alt., 60 Hz corr. alt.</p> <p>Coloque el interruptor de encendido/apagado en la posición de ON (ENCENDIDO).</p> <p>Presione el botón de reajuste en la clavija GFCI.</p> <p>Reajuste el disyuntor de la casa o del taller. Asegúrese de que la lavadora de presión esté conectada a un subcircuito individual únicamente. Si emplea un cordón de extensión, asegúrese que posea la capacidad suficiente para transportar la corriente de la lavadora de presión.</p> <p>Oprima el gatillo para liberar la presión de agua.</p> <p>Pruebe con otro receptáculo.</p>
La bomba no genera presión	<p>El suministro de agua es inadecuado.</p> <p>El tubo rociador tiene fugas.</p> <p>Está tapada la boquilla.</p> <p>Está defectuosa la bomba.</p> <p>Aire en el conductor.</p> <p>El filtro de entrada de agua está tapado o sucio.</p>	<p>Suministre un flujo de agua adecuado.</p> <p>Verifique las conexiones y/o reemplace el tubo.</p> <p>Limpie la boquilla.</p> <p>Comuníquese con un centro de servicio autorizado.</p> <p>Oprima el gatillo del tubo rociador para eliminar el aire del conductor.</p> <p>Retire el filtro de entrada de agua, enjuague con agua tibia y, luego, vuelva a colocarlo en la unidad.</p>
La máquina no alcanza presión alta	<p>Está demasiado pequeño el diámetro de la manguera de jardín.</p> <p>Está restringido el suministro de agua.</p> <p>No hay suficiente agua en la entrada.</p> <p>La manguera tiene pérdidas.</p> <p>La manguera está acodada.</p>	<p>Reemplácela con una manguera de 19 mm (3/4 pulg).</p> <p>Check garden hose for kinks, leaks, and blockages.</p> <p>Abra el suministro de agua a toda su capacidad.</p> <p>Cambie la manguera.</p> <p>Quite la acodadura de la manguera.</p>
No hay detergente	<p>El tanque de jabón está vacío.</p> <p>El suministro de agua es insuficiente o está tapado.</p> <p>Está puesta una boquilla equivocada.</p>	<p>Agregue más detergente al tanque.</p> <p>Verifique si la manguera de jardín está retorcida o si tiene fugas y obstrucciones.</p> <p>Instale boquilla azul o negro de alta presión.</p>
El tubo tiene fugas	<p>Debe reemplazar la junta tórica.</p>	<p>Reemplace la junta tórica. Si no se soluciona el problema mediante este proceso, comuníquese con el centro de servicio autorizado para comprar un tubo nuevo.</p>

GARANTÍA

GARANTIA LIMITADA

COBERTURA DE LA GARANTÍA

OWT Industries, Inc., (la Compañía) garantiza al comprador minorista original que este Producto PowerStroke carece de defectos en material y mano de obra, y acuerda reparar o reemplazar, a la entera discreción de la Compañía, cualquier Producto defectuoso sin cargo en los siguientes períodos a partir de la fecha de la compra:

- Dos años si el Producto se utiliza exclusivamente para fines personales, familiares o domésticos.
- 90 días si el Producto se utiliza para fines comerciales.

Esta garantía sólo es válida para los Productos vendidos dentro del territorio de los Estados Unidos de América, el distrito de Columbia, Canadá, México, el Estado Libre Asociado de Puerto Rico, las Islas Vírgenes, Guam, la Zona del Canal o Samoa Americana.

Esta garantía no es transferible y sólo cubre los daños derivados de defectos en material o mano de obra y no los daños causados por el uso irracional, incluida la falta de mantenimiento razonable y necesario. **Entre los artículos que no cuentan con la cobertura de esta garantía, se encuentran:**

- Los gastos de transporte originados por el envío del producto a la Compañía o a su representante de servicio autorizado para el mantenimiento incluido en la garantía, o por el envío al consumidor de productos reparados o reemplazados; estos cargos corren por cuenta del comprador minorista original.
- Los daños causados por el maltrato, los accidentes, el uso indebido, la negligencia, la alteración, la modificación, los efectos de la corrosión, la erosión, el desgaste normal o las reparaciones realizadas por personas ajenas a la Compañía o a sus representantes de servicio autorizados.
- Además, esta garantía no cubre:
 - Desgaste de piezas – Pasadors de chaveta, Ruedas, Manguera de alta presión, Mango del gatillo, Boquilla

La garantía queda anulada si el cliente no instala, mantiene o utiliza el producto respetando las instrucciones y las recomendaciones de la Compañía, según se expresa en el manual del operador del Producto, o si el Producto se utiliza como equipo de alquiler.

La Compañía no se hará cargo de las reparaciones o los ajustes al Producto, o de cualquier tarea o gasto que no sea autorizado previamente por esta Compañía.

GUARDE SU COMPROBANTE DE COMPRA

Antes de que la Compañía o sus representantes de servicio autorizados puedan efectuar el servicio correspondiente cubierto por la garantía del Producto, se solicitará como comprobante de compra una factura de compra con fecha, un recibo de la caja registradora, etc. que incluya el número de serie y el modelo.

EXCLUSIONES Y LIMITACIONES

ESTA GARANTÍA LIMITADA PREVALECE SOBRE CUALQUIER OTRA GARANTÍA EXPRESA. CUALQUIER GARANTÍA IMPLÍCITA DE COMERCIALIZACIÓN, IDONEIDAD PARA UN FIN ESPECÍFICO U OTRA QUE BRINDE COBERTURA PARA ESTE PRODUCTO ESTARÁ LIMITADA EN DURACIÓN AL PLAZO DE ESTA GARANTÍA LIMITADA. EL SERVICIO DE GARANTÍA DESCRITO ANTERIORMENTE ES EL ÚNICO RECURSO BAJO ESTA GARANTÍA. LA COMPAÑÍA NO SERÁ RESPONSABLE DE CUALQUIER DAÑO ESPECIAL, INDIRECTO O CONSECUENTE.

ALGUNOS ESTADOS NO PERMITEN LIMITACIONES EN CUANTO A LA DURACIÓN DE UNA GARANTÍA IMPLÍCITA, O LA EXCLUSIÓN O LIMITACIÓN DE LOS DAÑOS INDIRECTOS O CONSECUENTES; POR LO QUE ES POSIBLE QUE LAS LIMITACIONES O EXCLUSIONES ANTERIORES NO SE APLIQUEN EN SU CASO.

CÓMO OBTENER UN SERVICIO DE GARANTÍA

Para obtener el servicio de garantía: Llame sin cargo al 1-877-617-3501 o escriba a OWT Industries, Inc., P.O. Box 1427, Anderson, SC 29622.

Para obtener el servicio de garantía fuera de los EE. UU., comuníquese con el establecimiento PowerStroke local.



ELECTRIC PRESSURE WASHER
LAVADORA DE PRESIÓN A ELÉCTRICA
PS142200

OPERATOR'S MANUAL MANUAL DEL OPERADOR

SERVICE

For parts or service, contact your service dealer. Please call 1-877-617-3501 or visit us online at www.powerstroketools.com for assistance. Be sure to provide all relevant information when you call or visit. A replacement parts list is also available online.

REPAIR PARTS

The item, manufacturing, and serial numbers of this product are found on a plate or label attached to the housing. Please record these numbers in the spaces provided below.

ITEM NO. _____

MANUFACTURING NO. _____

SERIAL NO. _____

.....

SERVICIO

Para obtener piezas o servicio, comuníquese con el centro de servicio. Para asistencia, le suplicamos llamar al 1-877-617-3501 o visitar nuestro sitio en la red mundial, en la dirección www.powerstroketools.com. Asegúrese de proporcionar todos los datos pertinentes al llamar o al presentarse personalmente. Una lista de piezas de repuesto está también disponibles en línea.

PIEZAS DE REPUESTO

El número de artículo, el número de fabricación y el número de serie de este producto se encuentra en una placa o etiqueta pegada a la caja del motor. Le recomendamos anotar los números en los espacios suministrado abajo.

NÚMERO DE ARTÍCULO _____

NÚMERO DE FABRICACIÓN _____

NÚMERO DE SERIE _____

OWT INDUSTRIES, INC.
P.O. Box 1427
Anderson, SC 29622 USA
1-877-617-3501
www.powerstroketools.com